

H TECHNICAL BULLETIN

AIRTEK® for Volvo Vehicles

SUBJECT: Height Control Valve and Air Spring Assembly

LIT NO: SEU-0226

DATE: August 2006 **REVISION:** A

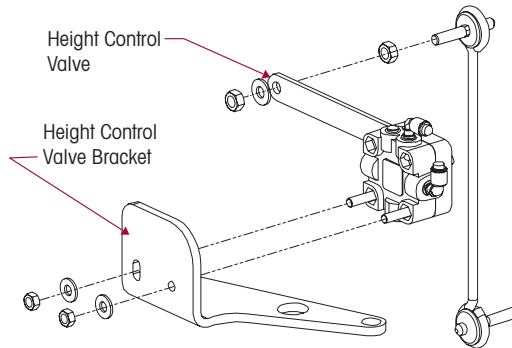
IMPORTANT NOTICE

Effective June 12, 2006, Hendrickson Truck Suspension Systems introduced modifications to the height control valve assembly and air spring assembly for new Volvo vehicles equipped with the AIRTEK® front air suspension and steer axle system. For AIRTEK systems with a rated capacity of 12.0K or 12.5K pounds, if the push-to-connect fitting in the height control valve or in the air spring is damaged or if leakage is present, the modifications allow the push-to-connect fitting to be serviced, instead of having to completely replace the height control valve assembly or air spring assembly.

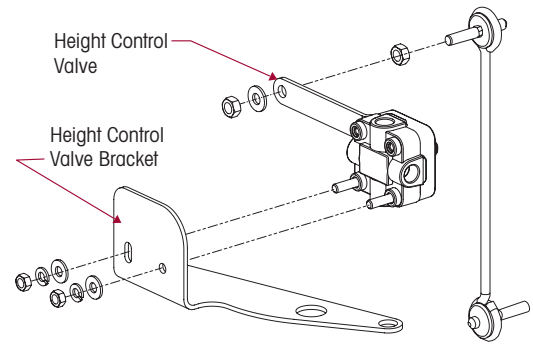
In addition, the right hand height control valve and bracket now have a unique bolt pattern to help prevent accidental installation on the left hand side of the vehicle. This change will require for applicable Volvo vehicles in the field equipped with the prior height control valve and air spring assemblies, that the right hand bracket be replaced when replacing the right hand height control valve.

13.2K/14.6K Height Control Valve Assembly

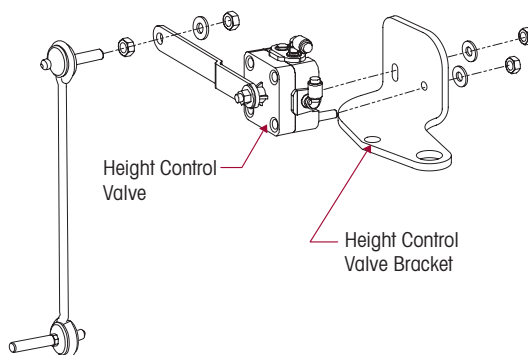
PREVIOUS - LEFT HAND



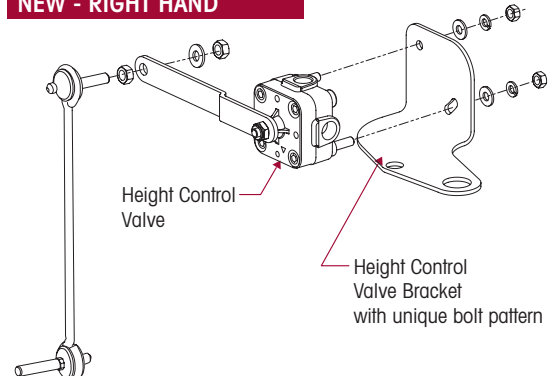
NEW - LEFT HAND



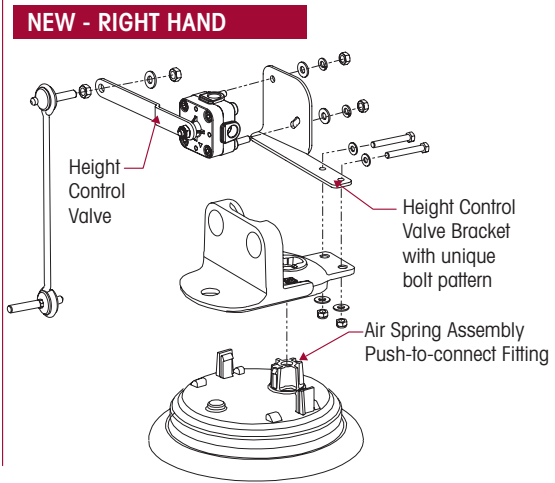
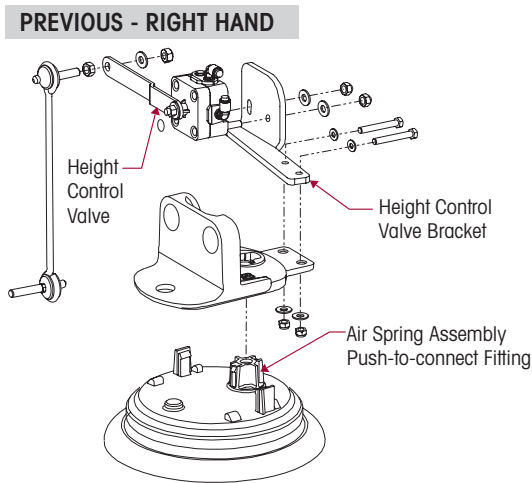
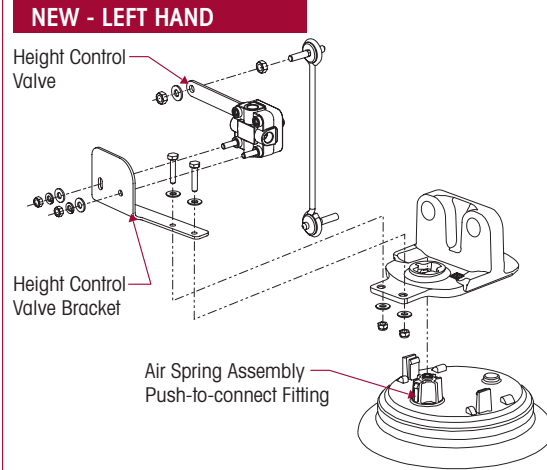
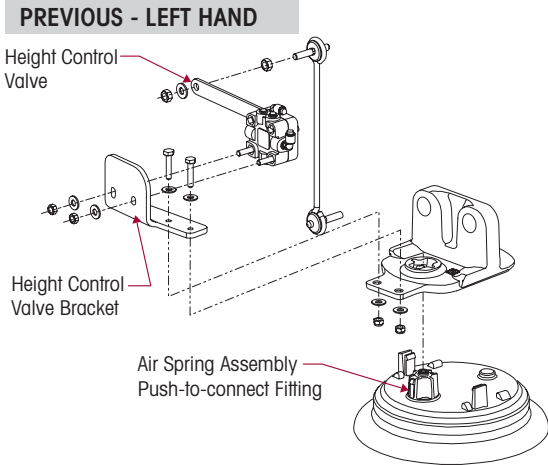
PREVIOUS - RIGHT HAND



NEW - RIGHT HAND



12K/12.5K Height Control Valve and Air Spring Assembly



	AIR SPRING ASSEMBLY	HEIGHT CONTROL VALVE ASSEMBLY			
	12.0K/12.5K	12.0K/12.5K		13.2K/14.6K	
		LEFT HAND	RIGHT HAND	LEFT HAND	RIGHT HAND
Previous	60750-002	65601-001	65601-002	65602-001	65602-002
New	66349-002	65601-006	65601-007	65602-006	65602-007

Height control valve assembly includes height control valve, HCV bracket, HCV linkage and fasteners.

www.hendrickson-intl.com



Truck Suspension Systems
800 South Frontage Road
Woodridge, IL 60517-4904 USA

630.910.2800
Fax 630.910.2899