

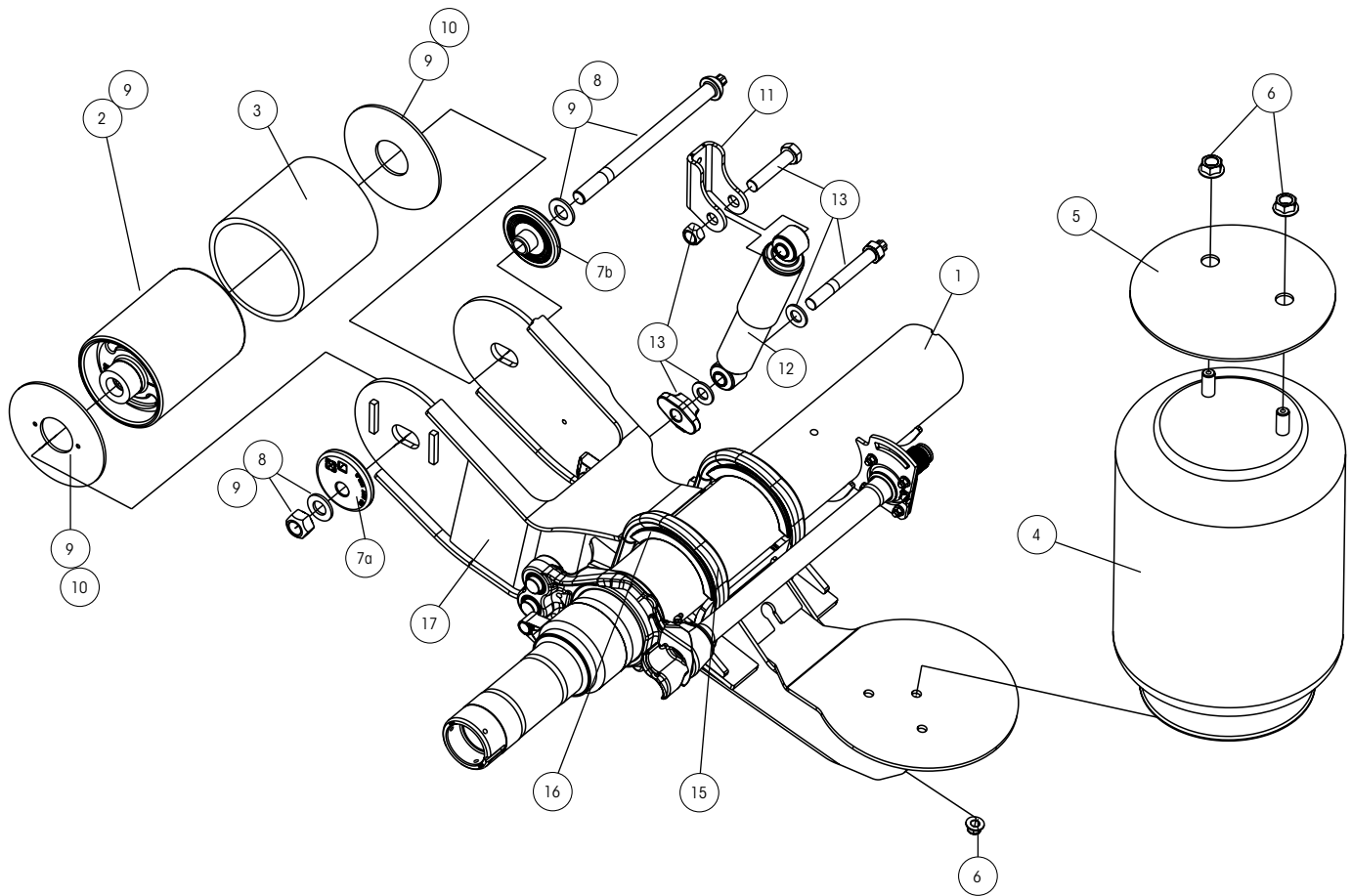
H PARTS LIST

CONNEX® CXY

LIT NO: L1323

DATE: August 2020







ITEM	DESCRIPTION	PART NO.	QTY.	NOTE
1	AXLE / BEAM WELDMENT		1	Contact Hendrickson for assistance
2	BUSHING ASSEMBLY	S-30862	2	PVT Bushing / Spacer & Tube Assy
3	TUBE SLEEVE	S-7342	2	
4	AIR SPRING			
	23K			
	Dual Combo Stud	S-23720	2	6.5" RH
		S-23613	2	7.5 - 9.0" RH
	Rotated Single Combo Stud	S-20413	2	6.5 - 9.0" RH
	25K			
	Dual Combo Stud	S-23721	2	6.5" RH
		S-23611	2	7.5 - 9.0" RH
	Rotated Single Combo Stud	S-20414	2	6.5 - 9.0" RH
5	AIR SPRING FLEX PLATE			
	Standrd Dual Combo Stud	S-23294	2	
	Rotated Single Combo Stud	S-21209	2	
6	AIR SPRING MOUNTING KIT			
	Dual Combo Stud	S-22619/2	2	6.5 - 9.0" RH
	Rotated Single Combo Stud	S-20033/2	2	6.5 - 9.0" RH
7	ALIGNMENT COLLAR			
	7a Eccentric washer, QUIK-ALIGN®	S-20925	2	Bolt hole is offset from center of collar
	7b Concentric washer, QUIK-ALIGN	S-20924	2	Pivot bolt hole is center of collar
8	QUIK-ALIGN PIVOT BOLT KIT	S-25948	2	Includes shear-type bolt, nut & washers
9	TRI-FUNCTIONAL® II BUSHING KIT	S-26000	2	Includes bushing assembly, bushing tube spacers, bolt, nut & washers
10	BUSHING TUBE SPACER	S-11613	4	
11	UPPER SHOCK CLEVIS	S-20113	2	
12	SHOCK ABSORBER	S-23651	2	
13	SHOCK BOLT KIT	S-31929/2	2	
14	SHOCK STRAP KIT (not shown)	S-23086-4	1	
15	U-BOLT KIT, RD			
	12.25" Brakes	S-22894/4	4	Includes (1) flattened U-bolt and hardware; axle spacer is required with flattened U-bolt - For 12.25" brakes
	16.50" Brakes	S-21140/4	4	Includes (1) coined U-bolt and hardware - For 16.5" brakes
16	AXLE SPACER	S-20701	4	Required with U-bolt Kit S-22894/4 - For 12.25" brakes
17	BEAM ASSEMBLY			
	Roadside	D-30873-1	1	
	Curbside	D-30873-2	1	

*Actual product performance may vary depending upon vehicle configuration, operation, service and other factors.
All applications must comply with applicable Hendrickson specifications and must be approved by the respective vehicle manufacturer with the vehicle in its original, as-built configuration.
Contact Hendrickson for additional details regarding specifications, applications, capacities, and operation, service and maintenance instructions.*

Call Hendrickson at 330.489.0045 or 866.RIDEAIR (743.3247) for additional information.



www.hendrickson-intl.com

TRAILER COMMERCIAL VEHICLE SYSTEMS

2070 Industrial Place SE
Canton, OH 44707-2641 USA
866.RIDEAIR (743.3247)
330.489.0045 • Fax 800.696.4416

Hendrickson Canada

250 Chrysler Drive, Unit #3
Brampton, ON Canada L6S 6B6
800.668.5360
905.789.1030 • Fax 905.789.1033

Hendrickson Mexicana

Circuito El Marqués Sur #29
Parque Industrial El Marqués
Pob. El Colorado, Municipio El Marqués,
Querétaro, México C.P. 76246
+52 (442) 296.3600 • Fax +52 (442) 296.3601

L1323 08-20

© 2020 Hendrickson USA, L.L.C. All Rights Reserved. All trademarks shown are owned by Hendrickson USA, L.L.C., or one of its affiliates, in one or more countries.
Information contained in this literature was accurate at the time of publication. Product changes may have been made after the copyright date that are not reflected.

Printed in United States of America