

H PARTS LIST

SOFTEK® /AIRTEK® Front Suspension System for FCCC Motorhome Chassis

LIT NO: SP-183

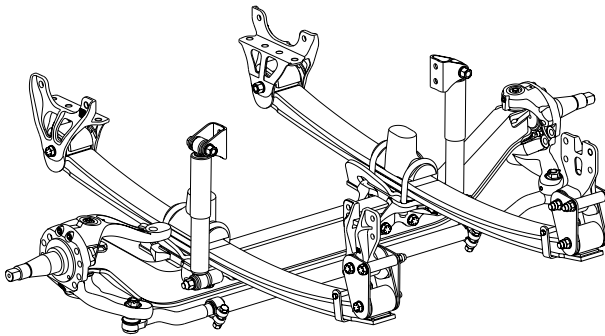
DATE: November 2013

REVISION: G

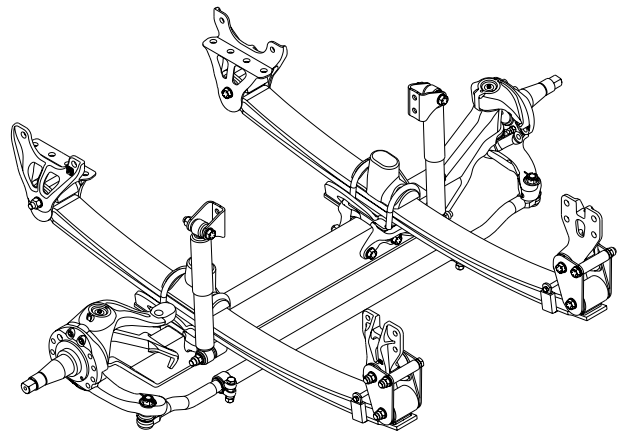
CONTENTS

| DESCRIPTION | PAGE | DESCRIPTION | PAGE |
|--|------|--|------|
| ■ SOFTEK with STEERTEK NXT Axle, 9K/10K/12K Capacity Vehicles built after March 2012 | 2 | ■ SOFTEK with STEERTEK Axle, 9K/10K Capacity Vehicles built prior to May 2010 | 6 |
| ■ SOFTEK with STEERTEK 1.5 Axle, 9K/10K/12K Capacity Vehicles built between May 2010 and March 2012 | 4 | ■ AIRTEK with STEERTEK NXT Axle, 10K Capacity | 8 |

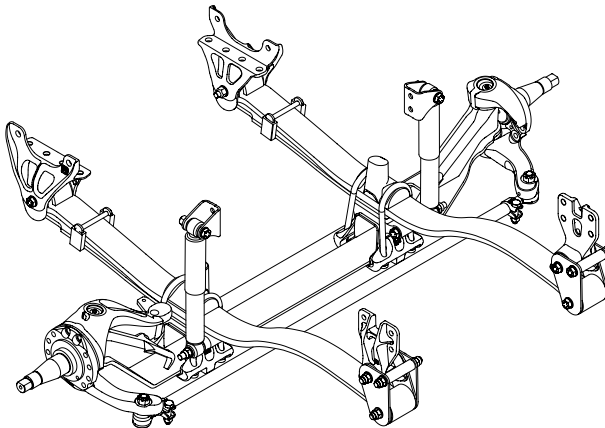
SOFTEK with STEERTEK NXT Axle



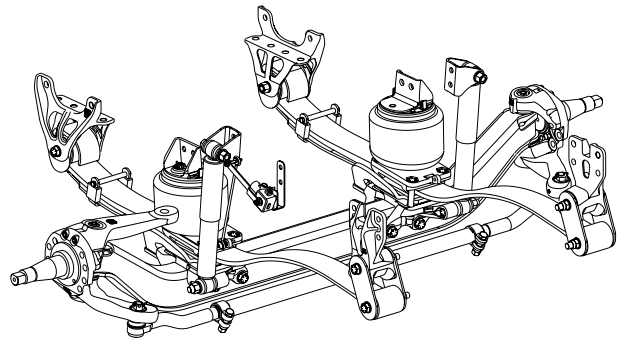
SOFTEK with STEERTEK 1.5 Axle



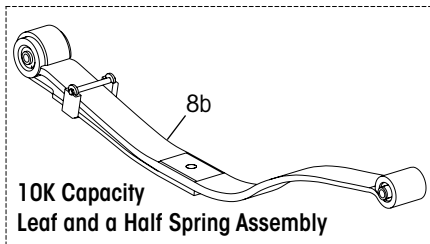
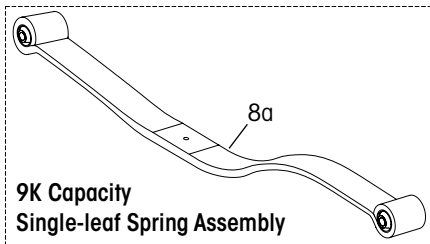
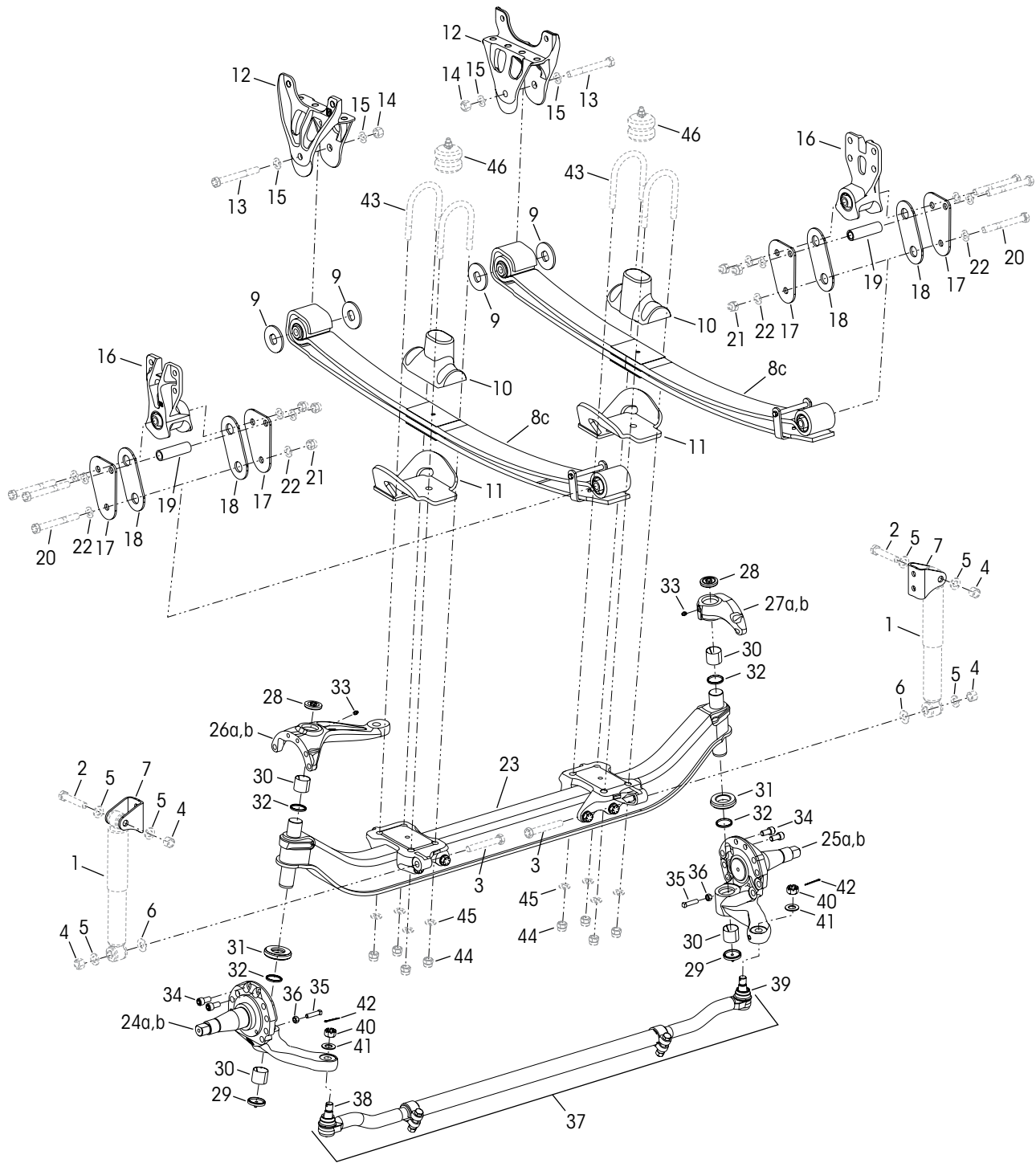
SOFTEK with STEERTEK Axle



AIRTEK with STEERTEK NXT Axle



■ Vehicles built with STEERTEK NXT axle after March 2012
9K/10K/12K Capacity





SOFTEK® with STEERTEK NXT Axle for FCC Motorhome Chassis

| KEY NO. | PART NO. | DESCRIPTION | NO.REQ. | KEY NO. | PART NO. | DESCRIPTION | NO.REQ. |
|---------|------------|--|---------|-----------|-----------|---|---------|
| 1 | | *Shock Absorber | 2 | 26 | | LH Upper Steering Knuckle Assembly Includes Key Nos. 28, 30, 32-33 | 1 |
| 2 | | *3/4"-10 UNC Upper Shock Bolt - 4.0" | 2 | a | 60903-251 | Equipped with Hydraulic Brake | |
| 3 | | *3/4"-10 UNC Lower Shock Bolt - 5.0" | 2 | b | 60903-453 | Equipped with Air Brake | |
| 4 | | *3/4"-10 UNC Hex Locknut | 4 | 27 | | RH Upper Steering Knuckle Assembly Includes Key Nos. 28, 30, 32-33 | 1 |
| 5 | | *3/4" Hardened Washer | 6 | a | 60904-234 | Equipped with Hydraulic Brake | |
| 6 | | *Shock Spacer - 1/8" Thick | 2 | b | 60904-432 | Equipped with Air Brake | |
| 7 | 59423-002 | Shock Bracket | 2 | | 60961-630 | Kingpin Bushing and Roller Thrust Bearing Service Kit, One Side, Includes Key Nos. 28-34, Loctite | |
| 8 | | Spring Assembly, Includes Spring Eye Bushings | 2 | 28 | 68687-003 | Grease Cap Assembly, Upper | 2 |
| a | 66415-002 | 9K, Single-leaf | | 29 | 68687-002 | Grease Cap Assembly, Lower | 2 |
| b | 65710-002 | 10K, Leaf and a Half | | 30 | 58909-001 | Kingpin Bushing | 4 |
| c | 68115-001 | 12K, 2-Leaf | | 31 | 64256-000 | Roller Thrust Bearing | 2 |
| 9 | 67493-000 | Thrust Washer - Front Hanger | 4 | 32 | 68731-000 | Kingpin Seal | 4 |
| 10 | 65714-000 | Top Pad | 2 | 33 | 33117-000 | Grease Zerk | 2 |
| 11 | 68759-004 | Sway Bar Bracket | 2 | 34 | 60236-001 | 5/8"-11 UNC Socket Head Cap Screw | 4 |
| 12 | 66297-000 | Front Hanger | 2 | Not Shown | 60937-000 | Loctite® (Red) Compound Tube | 1 |
| 13 | | *3/4"-10 UNC Bolt - 6.5" | 2 | | 60961-069 | Stop Bolt Service Kit, One Side, Includes Key Nos. 35-36 | |
| 14 | | *3/4"-10 UNC Locknut | 2 | 35 | 60238-001 | 1/2"-13 UNC Square Head Bolt | 2 |
| 15 | | *3/4" Hardened Washer | 4 | 36 | 60240-000 | 1/2"-13 UNC Hex Jam Nut | 2 |
| 16 | 64316-000 | Rear Shackle Bracket and Bushing Assembly | 2 | 37 | 68869-001 | ***Tie Rod Assembly, 9K/10K/12K 69 KPI, 5.36 Drop, 250 Ackermann Includes Key Nos. 38-40 | 1 |
| 17 | 66413-000 | Rear Shackle Plate | 4 | | 60961-626 | *** Tie Rod End Service Kit, Axle Set, Includes Kit Nos. 60961-624 & 60961-625 | |
| 18 | 64159-000 | Rear Shackle Wear Pad | 4 | | 60961-624 | *** LH Tie Rod End Service Kit, Includes Key Nos. 38, 40-42 | |
| 19 | 60631-000 | Shackle Stop Tube | 2 | | 60961-625 | *** RH Tie Rod End Service Kit, Includes Key Nos. 39-42 | |
| 20 | | *3/4"-10 UNC Hex Bolt - 6.5" | 2 | 38 | 68935-001 | ***LH Tie Rod End | 1 |
| 21 | | *3/4"-10 UNC Hex Nylocknut | 6 | 39 | 68935-002 | ***RH Tie Rod End | 1 |
| 22 | | *3/4" Hardened Washer | 12 | 40 | | **7/8" Castle Nut | 2 |
| | 68927-004 | STEERTEK NXT Axle Assembly, 250 Ackermann Equipped with Hydraulic Brake, Includes Key Nos. 23, 24a-27a, 31, 34, 37, 41-42 | 1 | 41 | 22962-007 | 7/8" Flat Washer | 2 |
| | 68927-005 | Equipped with Air Brake, Includes Key Nos. 23, 24b-27b, 31, 34, 37, 41-42 | | 42 | 17800-004 | Tie Rod Nut Cotter Pin | 2 |
| 23 | 68926-003M | Axle & Kingpin Assembly | 1 | 43 | | *3/4"-16 UNF U-bolt - 6.5" | 4 |
| 24 | | LH Lower Steering Knuckle Assembly, 250 Ackermann, Includes Key Nos. 29-30, 32, 35-36 | 1 | 44 | | *3/4"-16 UNF Hex Locknut | 8 |
| a | 58900-267 | Equipped with Hydraulic Brake | | 45 | | *3/4" Hardened Washer | 8 |
| b | 58900-469 | Equipped with Air Brake | | 46 | | *Auxiliary Spring | 2 |
| 25 | | RH Lower Steering Knuckle Assembly, 250 Ackermann, Includes Key Nos. 29-30, 32, 35-36 | 1 | | | | |
| a | 58900-268 | Equipped with Hydraulic Brake | | | | | |
| b | 58900-470 | Equipped with Air Brake | | | | | |

NOTE: * Not supplied by Hendrickson, used for reference only. Refer to vehicle manufacturer for more information.

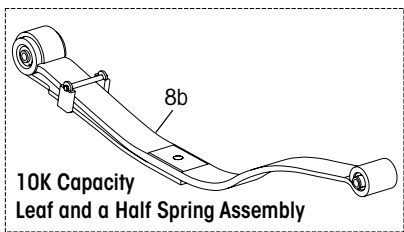
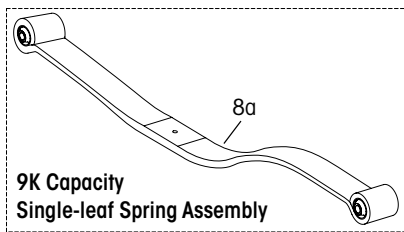
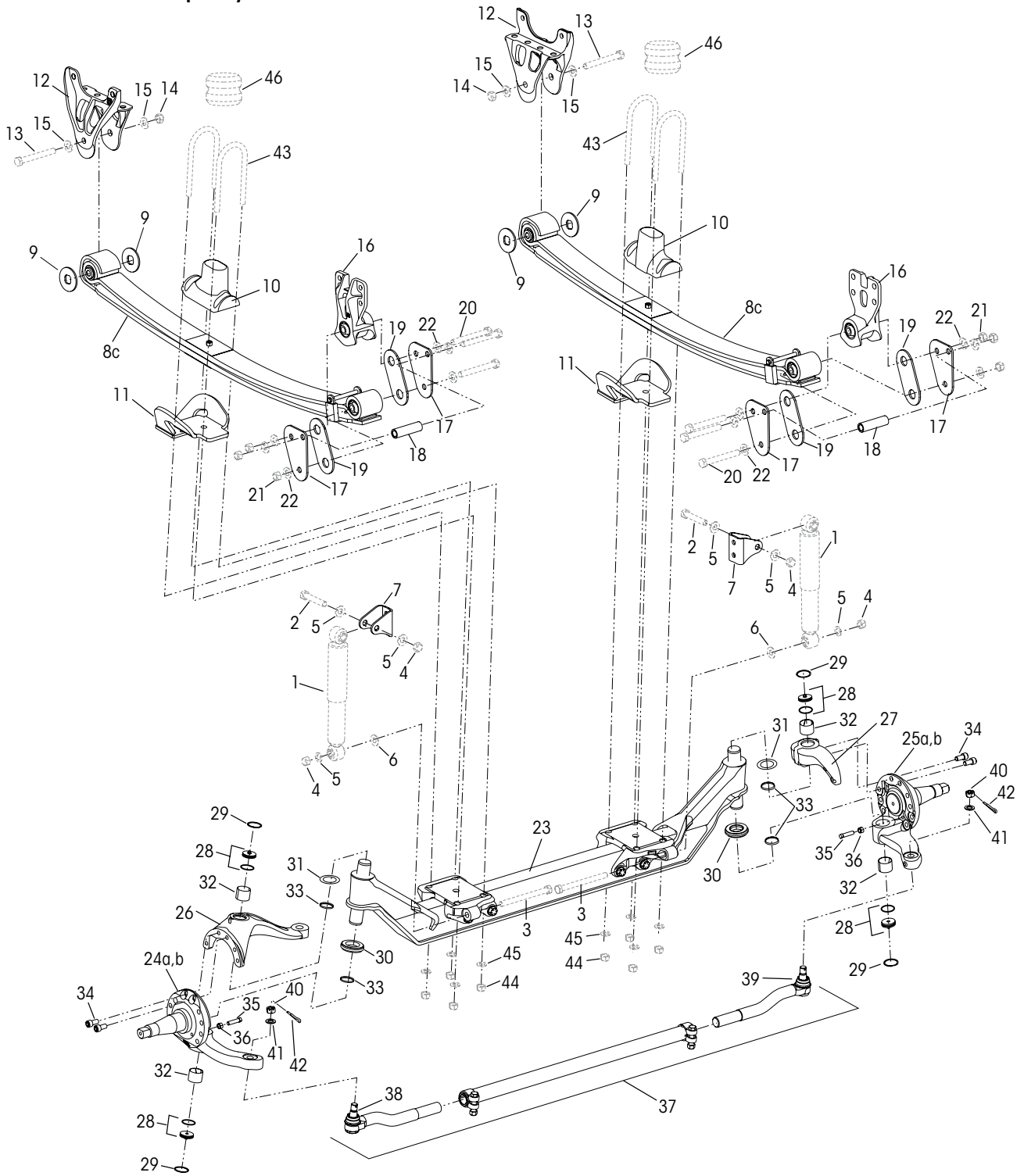
Hendrickson is not responsible for components supplied by vehicle manufacturer. For assistance with maintenance and rebuild instructions on these components see vehicle manufacturer.

** Item included in assembly only, part not sold separately.

*** The tie rod assembly is designed for use on a suspension with hydraulic brakes, it is not designed for vehicles with air brakes.

Hendrickson supplies different tie rod assemblies and each type may take a different replacement tie rod end kit to service. Prior to ordering find the part number on the tie rod tube, see Hendrickson Publication No. SEU-0223 or contact Hendrickson Truck Parts for corresponding kit numbers.

■ Vehicles built with STEERTEK 1.5 axle between May 2010 and March 2012
 9K/10K/12K Capacity





SOFTEK® with STEERTEK 1.5 Axle for FCC Motorhome Chassis

| KEY NO. | PART NO. | DESCRIPTION | NO.REQ. | KEY NO. | PART NO. | DESCRIPTION | NO.REQ. |
|---------|------------|---|---------|-----------|-----------|---|---------|
| 1 | | *Shock Absorber | 2 | 26 | 60903-051 | LH Upper Steering Knuckle Assembly Includes Key Nos. 32-33 | 1 |
| 2 | | *3/4"-10 UNC Upper Shock Bolt - 4.0" | 2 | 27 | 60904-034 | RH Upper Steering Knuckle Assembly Includes Key Nos. 32-33 | 1 |
| 3 | | *3/4"-10 UNC Lower Shock Bolt - 5.0" | 2 | | 60961-039 | Kingpin Bushing w/Roller Thrust Bearing Service Kit, One Wheel End, Includes Key Nos. 28-34 and Loctite | |
| 4 | | *3/4"-10 UNC Hex Locknut | 4 | 28 | 59156-000 | Grease Cap Assembly | 4 |
| 5 | | *3/4" Hardened Washer | 6 | 29 | 58937-000 | Retaining Ring | 4 |
| 6 | | * Shock Spacer - 1/8" Thick | 2 | | 60961-042 | Roller Thrust Bearing Service Kit, One Wheel End, Includes Key Nos. 31-34 and Loctite | |
| 7 | 59423-002 | Shock Bracket | 2 | 30 | 64256-000 | Roller Thrust Bearing | 2 |
| 8 | | Spring Assembly, Includes Spring Eye Bushings | 2 | 31 | | Kingpin Shim (As required) | |
| a | 66415-002 | 9K, Single-leaf | | | 60259-001 | 0.005" Thickness | 4 |
| b | 65710-002 | 10K, Leaf and a Half | | | 60259-002 | 0.047" Thickness | 1 |
| c | 68115-001 | 12K, 2-Leaf | | 32 | 58909-000 | Kingpin Bushing | 4 |
| 9 | 67493-000 | Thrust Washer - Front Hanger | 4 | 33 | 58910-001 | Kingpin Seal | 4 |
| 10 | 65714-000 | Top Pad | 2 | 34 | 60236-001 | 5/8"-11 UNC Socket Head Cap Screw | 4 |
| 11 | 68759-003 | Sway Bar Bracket | 2 | Not Shown | 60937-000 | Loctite (Red) Compound Tube | 2 |
| 12 | 66297-000 | Front Hanger | 2 | | 60961-069 | Stop Bolt Service Kit, One Side, Includes Key Nos. 35-36 | |
| 13 | | *3/4"-10 UNC Bolt - 6.5" | 2 | 35 | 60238-001 | 1/2"-13 UNC Square Head Bolt | 2 |
| 14 | | *3/4"-10 UNC Locknut | 2 | 36 | 60240-000 | 1/2"-13 UNC Hex Jam Nut | 2 |
| 15 | | *3/4" Hardened Washer | 4 | 37 | 68869-001 | ***Tie Rod Assembly, 9K/10K/12K 69 KPI, 5.36 Drop, 250 Ackermann Includes Key Nos. 38-40 | 1 |
| 16 | 64316-000 | Rear Shackle Bracket and Bushing Assembly | 2 | | 60961-626 | *** Tie Rod End Service Kit, Axle Set, Includes Kit Nos. 60961-624 & 60961-625 | |
| 17 | 66413-000 | Rear Shackle Plate | 4 | | 60961-624 | *** LH Tie Rod End Service Kit, Includes Key Nos. 38, 40-42 | |
| 18 | 60631-000 | Rear Shackle Stop Tube | 2 | | 60961-625 | *** RH Tie Rod End Service Kit, Includes Key Nos. 39-42 | |
| 19 | 64159-000 | Rear Shackle Wear Pad | 4 | 38 | 68935-001 | ***LH Tie Rod End | 1 |
| 20 | | *3/4"-10 UNC Hex Bolt - 6.5" | 6 | 39 | 68935-002 | ***RH Tie Rod End | 1 |
| 21 | | *3/4"-10 UNC Hex Nylocknut | 6 | 40 | | **7/8" Castle Nut | 2 |
| 22 | | *3/4" Hardened Washer | 12 | 41 | 22962-007 | 7/8" Flat Washer | 2 |
| | 68927-004 | STEERTEK 1.5 Axle Assembly, 250 Ackermann Equipped with Hydraulic Brake, <i>Replaces 66928-004, Includes Key Nos. 23, 24a-25a, 26-31, 34-37, 41-42</i> | 1 | 42 | 17800-004 | Tie Rod Nut Cotter Pin | 2 |
| | 68927-005 | Equipped with Air Brake, <i>Replaces 66928-005, Includes Key Nos. 23, 24b-25b, 26-31, 34-37, 41-42</i> | | 43 | | *3/4"-16 UNF U-bolt - 6.5" | 4 |
| 23 | 66926-003M | Axle & Kingpin Assembly, <i>Replaces 66926-002</i> | 1 | 44 | | *3/4"-16 UNF Hex Locknut | 8 |
| 24 | | LH Lower Steering Knuckle Assembly, 250 Ackermann, Includes Key Nos. 32-33 | 1 | 45 | | *3/4" Hardened Washer | 8 |
| a | 58900-067 | Equipped with Hydraulic Brake | | 46 | | *Auxiliary Spring | 2 |
| b | 58900-095 | Equipped with Air Brake | | | | | |
| 25 | | RH Lower Steering Knuckle Assembly, 250 Ackermann, Includes Key Nos. 32-33 | 1 | | | | |
| a | 58900-068 | Equipped with Hydraulic Brake | | | | | |
| b | 58900-096 | Equipped with Air Brake | | | | | |

NOTE: * Not supplied by Hendrickson, used for reference only. Refer to vehicle manufacturer for more information.

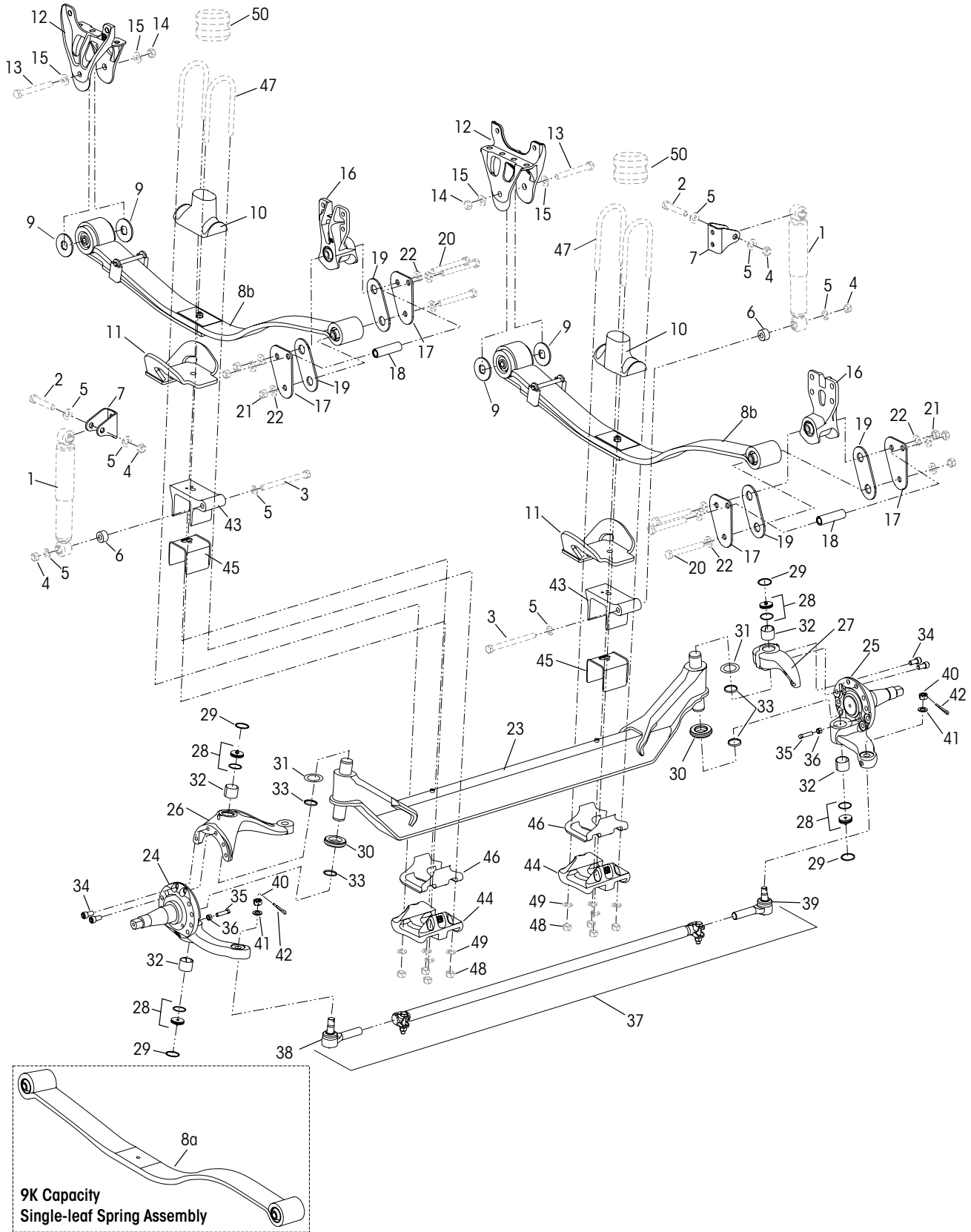
Hendrickson is not responsible for components supplied by vehicle manufacturer. For assistance with maintenance and rebuild instructions on these components see vehicle manufacturer.

** Item included in assembly only, part not sold separately.

*** The tie rod assembly is designed for use on a suspension with hydraulic brakes, it is not designed for vehicles with air brakes.

Hendrickson supplies different tie rod assemblies and each type may take a different replacement tie rod end kit to service. Prior to ordering find the part number on the tie rod tube, see Hendrickson Publication No. SEU-0223 or contact Hendrickson Truck Parts for corresponding kit numbers.

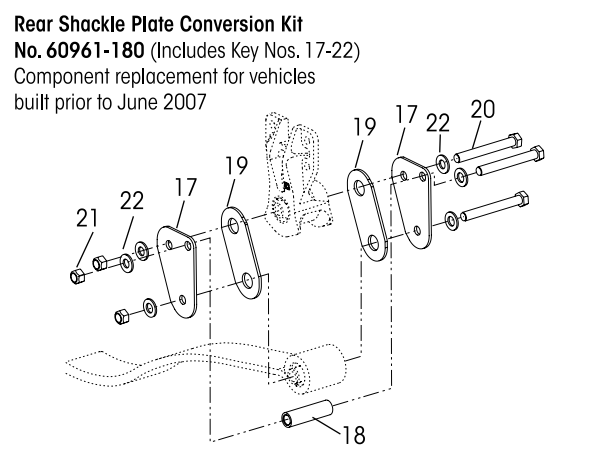
■ Vehicles built with STEERTEK axle prior to May 2010
 9K/10K Capacity





SOFTEK® with STEERTEK Axle for FCCC Motorhome Chassis

| KEY NO. | PART NO. | DESCRIPTION | NO.REQ. | KEY NO. | PART NO. | DESCRIPTION | NO.REQ. |
|---------|-----------|---|---------|-----------|-----------|---|---------|
| 1 | | *Shock Absorber | 2 | 30 | 64256-000 | Roller Thrust Bearing | 2 |
| 2 | | *3/4"-10 UNC Upper Shock Bolt - 4.0" | 2 | 31 | | Kingpin Shim (As required) | |
| 3 | | *3/4"-10 UNC Lower Shock Bolt - 5.0" | 2 | | 60259-001 | 0.005" Thickness | 4 |
| 4 | | *3/4"-10 UNC Hex Locknut | 4 | | 60259-002 | 0.047" Thickness | 1 |
| 5 | | *3/4" Hardened Washer | 8 | 32 | 58909-000 | Kingpin Bushing | 4 |
| 6 | 59946-002 | Shock Spacer | 2 | 33 | 58910-001 | Kingpin Seal, <i>Replaces 58910-000</i> | 4 |
| 7 | 59423-002 | Shock Bracket | 2 | 34 | 60236-001 | 5/8"-11 UNC Socket Head Cap Screw | 4 |
| 8 | | Spring Assembly, Includes Spring Eye Bushings | 2 | Not Shown | 60937-000 | Loctite (Red) Compound Tube | 2 |
| a | 66415-002 | 9K, Single-leaf | | | 60961-069 | Stop Bolt Service Kit, One Side, Includes Key Nos. 35-36 | |
| b | 65710-002 | 10K, <i>Replaces 65710-001</i> | | 35 | 60238-001 | 1/2"-13 UNC Square Head Bolt | 2 |
| 9 | 67493-000 | Thrust Washer - Front Hanger <i>Replaces 65899-000</i> | 4 | 36 | 60240-000 | 1/2"-13 UNC Hex Jam Nut | 2 |
| 10 | 65925-000 | Top Pad | 2 | 37 | 60239-007 | ****Tie Rod Assembly, 9/10K, 69 KPI, 5.36 Drop, 250 Ackermann, Includes Key Nos. 38-40, <i>Replaces 64801-006</i> | 1 |
| 11 | 68759-003 | Sway Bar Bracket, <i>Replaces 66233-001</i> | 2 | | 60961-010 | **** Tie Rod End Service Kit, Axle Set, Includes Kit Nos. 60961-025 & -026 <i>Replaces 60961-081</i> | |
| 12 | 66297-000 | Front Hanger, <i>Replaces 65711-000</i> | 2 | | 60961-025 | **** LH Tie Rod End Service Kit, Includes Key Nos. 38, 40-42, <i>Replaces 60961-083</i> | |
| 13 | | *3/4"-10 UNC Bolt - 6.5" | 2 | | 60961-026 | **** RH Tie Rod End Service Kit, Includes Key Nos. 39-42, <i>Replaces 60961-084</i> | |
| 14 | | *3/4"-10 UNC Locknut | 2 | 38 | 64000-001 | ****LH Tie Rod End, <i>Replaces 65033-001</i> | 1 |
| 15 | | *3/4" Hardened Washer | 4 | 39 | 64000-002 | ****RH Tie Rod End, <i>Replaces 65033-002</i> | 1 |
| 16 | 64316-000 | Rear Shackle Bracket and Bushing Assembly | 2 | 40 | | ***7/8" Castle Nut | 2 |
| 17 | 66413-000 | Rear Shackle Plate <i>**Rear Shackle Plate 64314-000, Replace with Conversion Kit No. 60961-180</i> | 4 | 41 | 22962-007 | 7/8" Flat Washer | 2 |
| 18 | 60631-000 | Rear Shackle Stop Tube | 2 | 42 | 17800-004 | Tie Rod Nut Cotter Pin | 2 |
| 19 | 64159-000 | Rear Shackle Wear Pad | 4 | 43 | 59952-024 | Top Axle Wrap | 2 |
| 20 | | *3/4"-10 UNC Hex Bolt - 6.5" | 6 | 44 | 64723-002 | Bottom Axle Wrap | 2 |
| 21 | | *3/4"-10 UNC Hex Locknut | 6 | 45 | 60508-000 | Top Axle Wrap Liner | 2 |
| 22 | | *3/4" Hardened Washer | 12 | 46 | 59845-000 | Bottom Axle Wrap Liner | 2 |
| | 70952-XXX | STEERTEK Axle Assembly, Includes Key Nos. 23-31, 34-37, 41-46 Contact Hendrickson Tech Services for Part No. | 1 | 47 | | *3/4"-16 UNF U-bolt - 10.0" | 4 |
| 23 | 64905-004 | Axle & Kingpin Assembly | 1 | 48 | | *3/4"-16 UNF Hex Locknut | 8 |
| 24 | | LH Lower Steering Knuckle Assembly Includes Key Nos. 32-33 | 1 | 49 | | *3/4" Hardened Washer | 8 |
| | 58900-063 | • 200 Ackermann Equipped with Hydraulic Brake | | 50 | | *Auxiliary Spring | 2 |
| | 58900-067 | • 250 Ackermann Equipped with Hydraulic Brake | | | | | |
| | 58900-001 | Equipped with Air Brake | | | | | |
| 25 | | RH Lower Steering Knuckle Assembly Includes Key Nos. 32-33 | 1 | | | | |
| | 58900-064 | • 200 Ackermann Equipped with Hydraulic Brake | | | | | |
| | 58900-068 | Equipped with Hydraulic Brake | | | | | |
| | 58900-002 | Equipped with Air Brake | | | | | |
| 26 | 60903-051 | LH Upper Steering Knuckle Assembly Includes Key Nos. 32-33 | 1 | | | | |
| 27 | 60904-034 | RH Upper Steering Knuckle Assembly Includes Key Nos. 32-33 | 1 | | | | |
| | 60961-039 | Kingpin Bushing w/Roller Thrust Bearing Service Kit, One Wheel End, Includes Key Nos. 28-34 and Loctite | | | | | |
| 28 | 59156-000 | Grease Cap Assembly | 4 | | | | |
| 29 | 58937-000 | Retaining Ring | 4 | | | | |
| | 60961-042 | Roller Thrust Bearing Service Kit, One Wheel End, Includes Key Nos. 31-34 and Loctite | | | | | |



NOTE: * Not supplied by Hendrickson, used for reference only. Refer to vehicle manufacturer for more information.
 Hendrickson is not responsible for components supplied by vehicle manufacturer. For assistance with maintenance and rebuild instructions on these components see vehicle manufacturer.

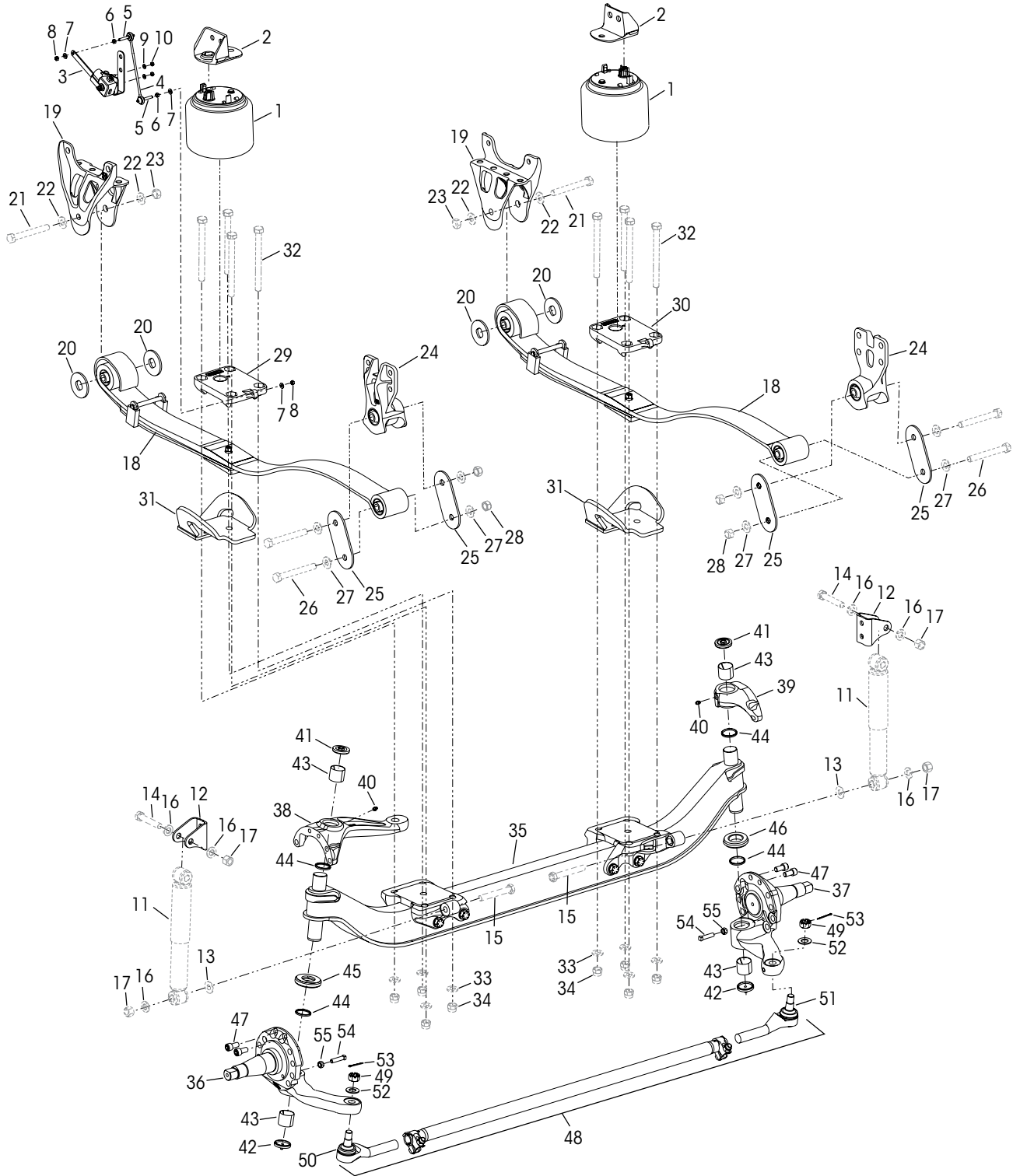
** No longer available. See Rear Shackle Plate Conversion Kit No. 60961-180.

*** Item included in assembly only, part not sold separately.

**** The tie rod assembly is designed for use on a suspension with hydraulic brakes, it is not designed for vehicles with air brakes.

Hendrickson supplies different tie rod assemblies and each type may take a different replacement tie rod end kit to service. Prior to ordering find the part number on the tie rod tube, see Hendrickson Publication No. SEU-0223 or contact Hendrickson Truck Parts for corresponding kit numbers.

■ Vehicles built with STEERTEK NXT axle
10K Capacity





AIRTEK® with STEERTEK NXT Axle for FCC Motorhome Chassis

| KEY NO. | PART NO. | DESCRIPTION | NO.REQ. | KEY NO. | PART NO. | DESCRIPTION | NO.REQ. |
|---------|------------|--|---------|-----------|-----------|--|---------|
| 1 | 64075-002L | Air Spring | 2 | 37 | 58900-470 | RH Lower Steering Knuckle Assembly | 1 |
| 2 | 60850-001 | Air Spring Bracket | 2 | | | Includes Key Nos. 42-44, 54-55 | |
| | 70417-000 | HCV, Link Mount & Linkage Assembly, Includes Key Nos. 3-10 | 1 | 38 | 60903-436 | LH Upper Steering Knuckle Assembly | 1 |
| | | | | | | Includes Key Nos. 40-41, 43-44 | |
| 3 | 60501-000 | Height Control Valve | 1 | 39 | 60904-432 | RH Upper Steering Knuckle Assembly | 1 |
| 4 | 59428-002 | HCV Linkage | 1 | | | Includes Key Nos. 40-41, 43-44 | |
| 5 | 59169-003 | 5/16"-18 UNC Stud | 2 | | 60961-628 | Kingpin Bushing and Bearing Service Kit, Axle Set , Includes Kit Nos. 60961-629 & -630 | |
| 6 | 17491-011 | 5/16"-18 UNC 2B Nut | 2 | | 60961-629 | LH Kingpin Bushing w/Composite Thrust Bearing Service Kit , Includes Key Nos. 40-45, 47, Loctite | |
| 7 | 22962-029 | 5/16" Flat Washer | 3 | | 60961-630 | RH Kingpin Bushing w/Roller Thrust Bearing Service Kit , Includes Key Nos. 40-44, 46-47 & Loctite | |
| 8 | 59016-000 | 5/16"-18 UNC 2B Nut | 2 | 40 | 33117-000 | Grease Zerk | 2 |
| 9 | 22962-028 | 1/4" Flat Washer | 2 | 41 | 68687-003 | Grease Cap Assembly, Upper | 2 |
| 10 | 49983-000 | 1/4"-20 UNC Locknut | 2 | 42 | 68687-002 | Grease Cap Assembly, Lower | 2 |
| 11 | | *Shock Absorber | 2 | 43 | 58909-001 | Kingpin Bushing | 4 |
| 12 | 59423-002 | Shock Bracket | 2 | | 60961-631 | Thrust Bearing Service Kit, Axle Set , Includes Kit Nos. 60961-632 & -633 | |
| 13 | | *Shock Spacer - 1/8" Thick | 2 | | 60961-632 | LH Composite Thrust Bearing Service Kit , Includes Key Nos. 44-45, 47 & Loctite | |
| 14 | | *3/4"-10 UNC Upper Shock Bolt - 4.0" | 2 | | 60961-633 | RH Roller Thrust Bearing Service Kit , Includes Key Nos. 44, 46-47 & Loctite | |
| 15 | | *3/4"-10 UNC Lower Shock Bolt - 5.0" | 2 | 44 | 68731-000 | Kingpin Seal | 4 |
| 16 | | *3/4" Flat Washer | 6 | 45 | 59828-000 | LH Composite Thrust Bearing | 1 |
| 17 | | *3/4"-10 UNC Hex Locknut | 4 | 46 | 64256-000 | RH Roller Thrust Bearing | 1 |
| 18 | 53468-000 | Leaf Spring Assembly | 2 | 47 | 60236-001 | 5/8"-11 UNC Socket Head Cap Screw | 4 |
| 19 | 66297-000 | Front Hanger | 2 | Not Shown | 60937-000 | Loctite® (Red) Compound Tube | 1 |
| 20 | 67493-000 | Thrust Washer - Front Hanger | 4 | 48 | 68869-001 | ***Tie Rod Assembly, Includes Key Nos. 49-51 | 1 |
| 21 | | *3/4"-10 UNF Hex Bolt - 6.5" | 2 | 49 | | ***7/8" Castle Nut | 2 |
| 22 | | *3/4" Flat Washer | 4 | | 60961-626 | *** Tie Rod End Service Kit, Axle Set , Includes Kit Nos. 60961-624 & 60961-625 | |
| 23 | | *3/4"-10 UNF 2B Locknut | 2 | | 60961-624 | *** LH Tie Rod End Service Kit , Includes Key Nos. 50, 52-53 | |
| 24 | 66510-001 | Rear Shackle Bracket and Bushing Assembly | 2 | | 60961-625 | *** RH Tie Rod End Service Kit , Includes Key Nos. 51-53 | |
| 25 | 64314-000 | Rear Shackle Plate | 4 | 50 | 68935-001 | ***LH Tie Rod End | 1 |
| 26 | | *3/4"-10 UNC Hex Bolt - 6.5" | 4 | 51 | 68935-002 | ***RH Tie Rod End | 1 |
| 27 | | *3/4" Washer | 8 | 52 | 22962-007 | 7/8" Flat Washer | 2 |
| 28 | | *3/4"-10 UNC Hex Locknut | 4 | 53 | 17800-004 | Tie Rod Nut Cotter Pin | 2 |
| 29 | 64516-001 | LH Top Pad | 1 | | 60961-069 | Stop Bolt Service Kit, One Side , Includes Key Nos. 54-55 | |
| 30 | 64516-002 | RH Top Pad | 1 | 54 | 60238-001 | 1/2"-13 UNC Square Head Bolt | 2 |
| 31 | 68759-004 | Sway Bar Bracket | 2 | 55 | 60240-000 | 1/2"-13 UNC Hex Jam Nut | 2 |
| 32 | | *3/4"-16 UNF Hex Bolt - 5.5" | 8 | | | | |
| 33 | | *3/4" Flat Washer | 8 | | | | |
| 34 | | *3/4"-16 UNF 2B Locknut | 8 | | | | |
| | 68927-006 | STEERTEK NXT Axle Assembly, 69" KPI, 5.36" Drop, 250 Ackermann, Includes Key Nos. 35-39, 45-48, 52-53 | 1 | | | | |
| 35 | 68926-003M | Axle & Kingpin Assembly | 1 | | | | |
| 36 | 58900-469 | LH Lower Steering Knuckle Assembly Includes Key Nos. 42-44, 54-55 | 1 | | | | |

NOTE: * Not supplied by Hendrickson, used for reference only. Refer to vehicle manufacturer for more information.

Hendrickson is not responsible for components supplied by vehicle manufacturer. For assistance with maintenance and rebuild instructions on these components see vehicle manufacturer.

** Item included in assembly only, part not sold separately.

*** The tie rod assembly is designed for use on a suspension with hydraulic brakes, it is not designed for vehicles with air brakes.

Hendrickson supplies different tie rod assemblies and each type may take a different replacement tie rod end kit to service. Prior to ordering find the part number on the tie rod tube, see Hendrickson Publication No. SEU-0223 or contact Hendrickson Truck Parts for corresponding kit numbers.

This is a general parts list to provide directional information. Components may vary by model. Questions in regards to parts, contact Hendrickson Truck Parts at 1.866.755.5968 (Toll-free U.S. and Canada), 1.630.910.2800 (Outside U.S. and Canada) or e-mail: truckparts@hendrickson-intl.com.

www.hendrickson-intl.com



Truck Commercial Vehicle Systems
800 South Frontage Road
Woodridge, IL 60517-4904 USA

1.866.755.5968 (Toll-free U.S. and Canada)
1.630.910.2800 (Outside U.S. and Canada)
Fax 1.630.910.2899