

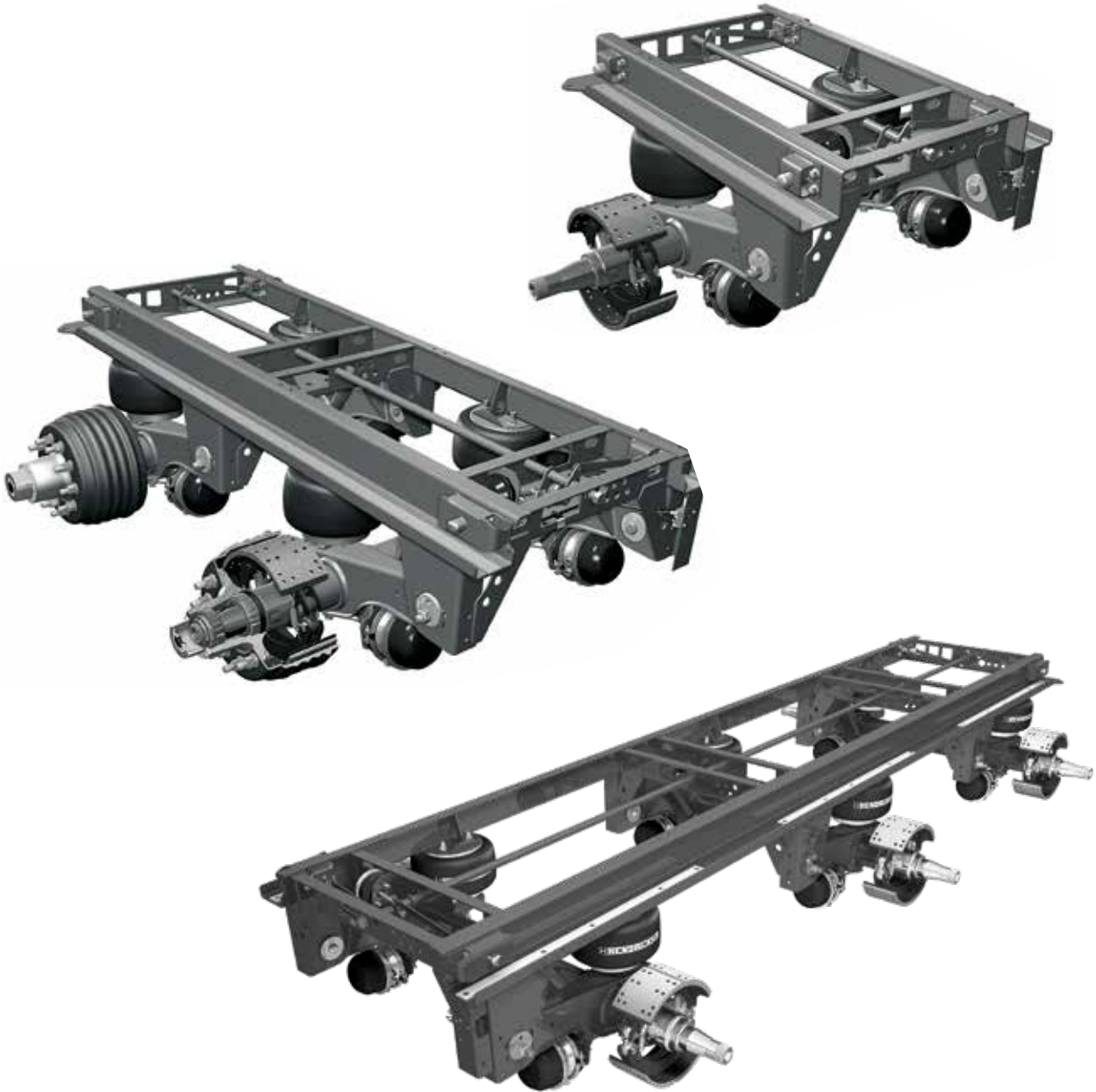
PARTS LIST

INTRAX[®] SP Platform Slider
AAZNT 23K / AAZNT 46K /
AAZNT 69K23

LIT NO: L916

DATE: June 2016

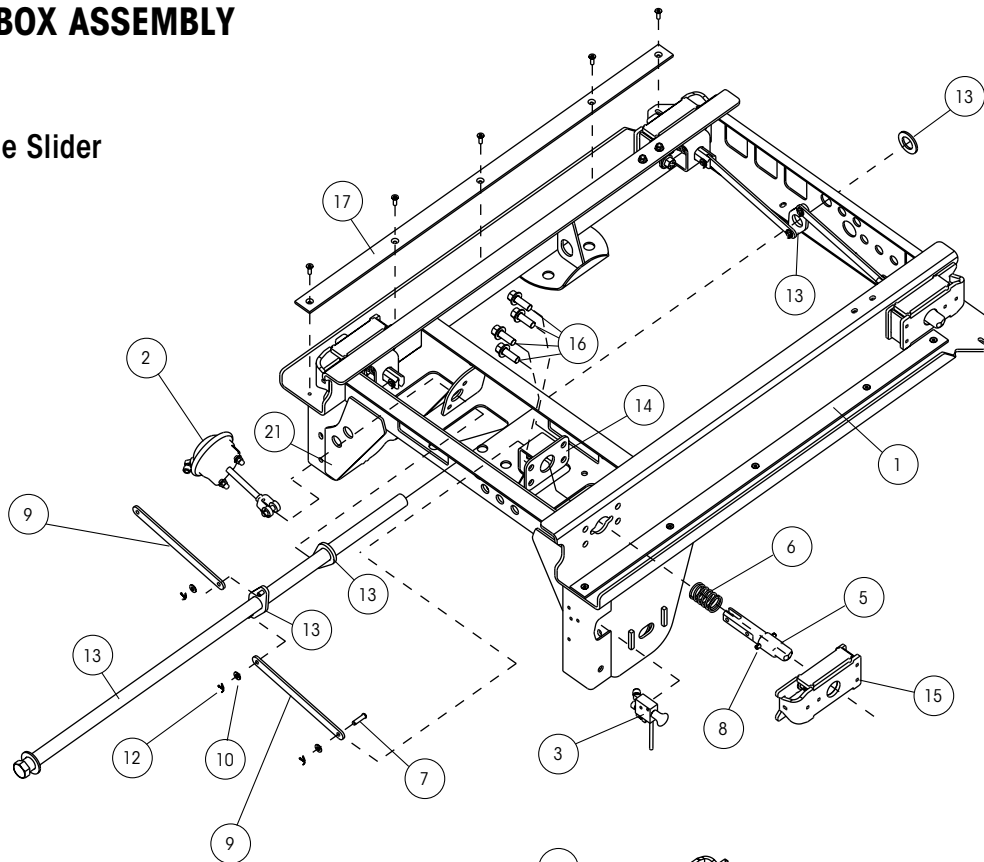
REVISION: D



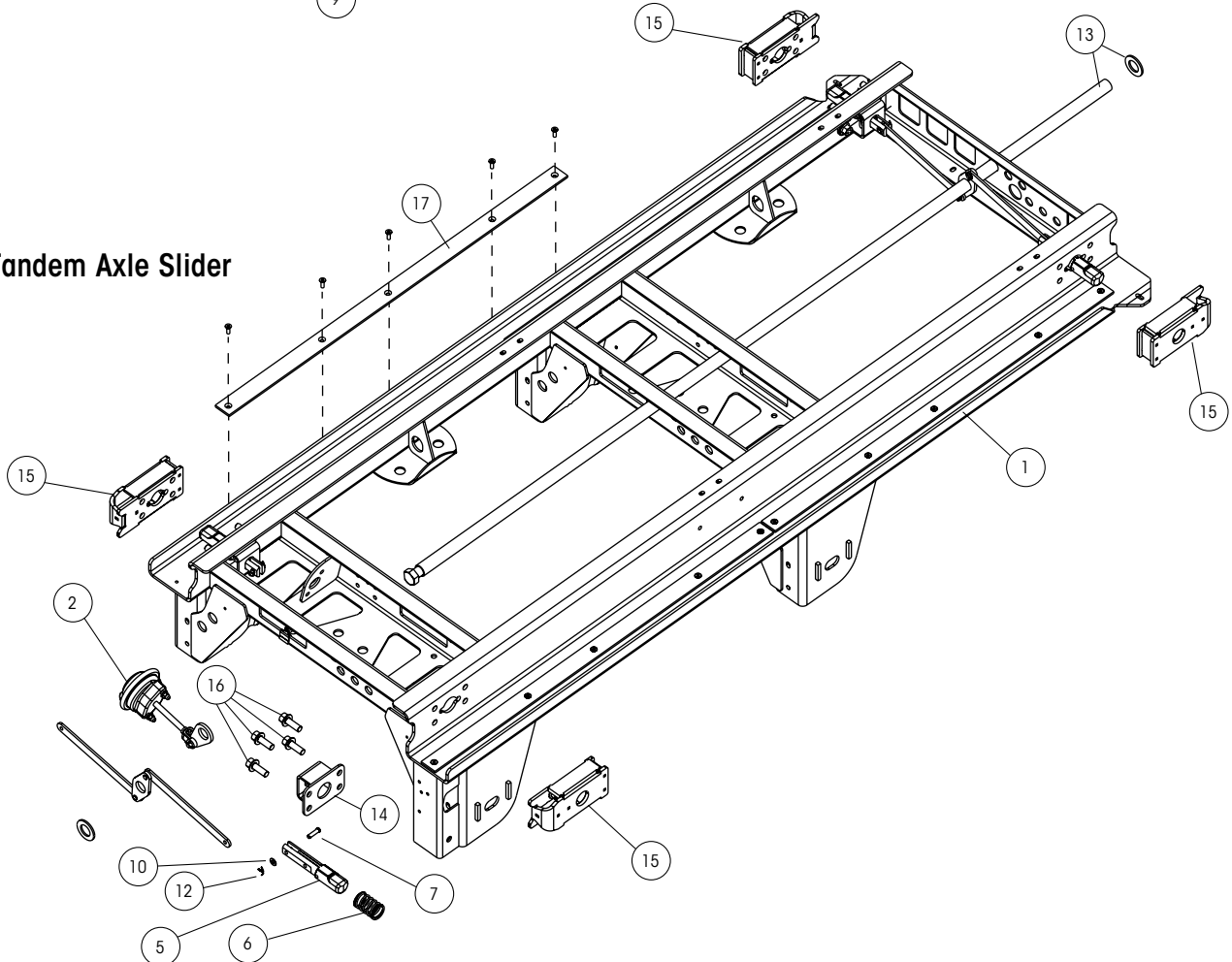


SLIDER BOX ASSEMBLY

Single Axle Slider



Tandem Axle Slider





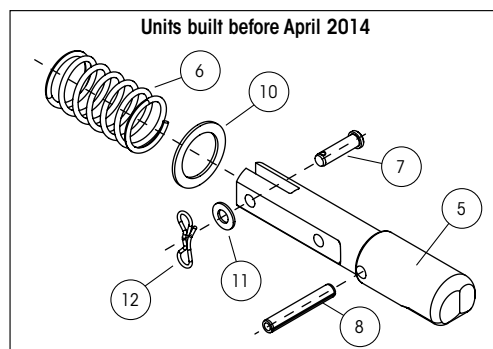
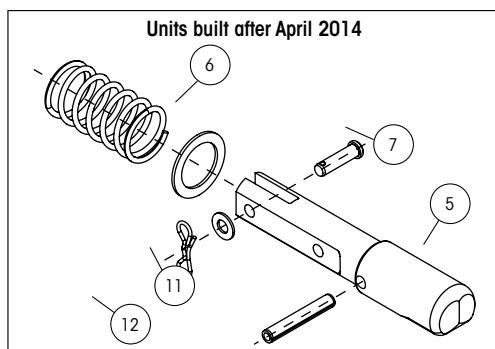
SLIDER BOX ASSEMBLY

All suspensions are 23K capacity; system capacity for tandem is 46K; system capacity for tridem is 69K.
 I-beam centers are 37" and 38" for 42" box width with 71.5" axle track.
 I-beam centers are 43" and 44" for 48" box width with 77" axle track.
 Axle spacing or "spread" is measured from center of front axle to center of rear axle.

ITEM	DESCRIPTION	PART NO.	TANDEM SYSTEM QTY.	NOTE
1	AFTERMARKET SLIDER BOX REPLACEMENT	AMBOX.XX	1	Please contact Hendrickson for assistance
2	BRAKE CHAMBER	A-23039	1	Type 12 modified
3	QUIK-DRAW® VALVE			See L751 QUIK-DRAW® Parts List
4	QUIK-DRAW VALVE KNOB with SCREW SET (Not shown)			See L751 QUIK-DRAW Parts List
5	LOCKING PIN			See L751 QUIK-DRAW Parts List
6	LOCKING PIN SPRING			See L751 QUIK-DRAW Parts List
7	CLEVIS PIN			See L751 QUIK-DRAW Parts List
8	SPRING PIN			See L751 QUIK-DRAW Parts List
9	LOCKING PIN LINK			See L751 QUIK-DRAW Parts List
10	LOCKING PIN WASHER			See L751 QUIK-DRAW Parts List
11	PIN WASHER			See L751 QUIK-DRAW Parts List
12	LOCKING PIN LINK COTTER PIN			See L751 QUIK-DRAW Parts List
13	PIPE WELDMENT KIT			Includes pipe weldment, crank weldment, crank arm actuator and pipe ring stop
	Single axle	S-28044-1	1	51" weldment
	Tandem, 49" axle spread	S-28044-2	1	99" weldment
	Tandem, 60" axle spread	S-28044-3	1	111" weldment
	Tandem, 72" axle spread	S-28044-4	1	123" weldment
14	INNER LOCK PIN CAGE ASSEMBLY	S-27000	4	
15	OUTER LOCK PIN CAGE REPLACEMENT KITS			
	No shims, per slider	S-28658-1	1	Includes (4) pin cages and bolts
	With outer shims, per slider	S-28658-2	1	Includes (4) pin cages and bolts
	No shims	S-28658-3	2	Includes (1) curbside and (1) roadside cage and bolts
	With outer shims	S-28658-4	2	Includes (1) curbside and (1) roadside cage and bolts
16	PIN CAGE BOLT (Bolts are included in kits)	SA-6900-20	16	5/8"-11 x 1.75 flanged bolt
17	SLIDER WEAR PAD KIT	S-28640	2	Includes (2) slider wear pads and hardware
18	STINGER (Not shown)	S-27028-1	1	Includes (1) stinger and hardware

NOTE: Identification tag can be found on the roadside slider box rail above the front frame bracket gusset. There is also a blank INTRAAX tag on the inside of the curbside beam.

SLIDER PINS





SUSPENSION ASSEMBLY

All top-mount suspensions are narrow frame bracket / tapered beam assemblies.

All suspensions are 23K capacity; system capacity for tandem is 46K; system capacity for tridem is 69K.

Top-mount ride heights are 13.5" - 17"

ITEM	DESCRIPTION	PART NO.	QTY. PER		NOTE
			AXLE		
19	AXLE/BEAM WELDMENT	HTRAAX.XXX			Contact Hendrickson for assistance
20	FRAME BRACKET				See L1266 Frame Bracket Parts List
21	FRAME BRACKET GUSSET (Shown on page 2)	S-27330	2		For weld-on, winged or wingless frame attachments; for ride heights of 12" to 17"
22	AIR SPRING				
	Standard	S-21800	2		13.5" to 17" ride height
	Low pressure	S-20901	2		13.5" to 17" ride height
23	AIR SPRING MOUNTING PLATE (Not shown)	S-20905	2		12" to 19" ride height
24	AIR SPRING SPACER	B-22510-1	2		Plastic 1-1/8" Thick Spacer; 17" ride height
25	AIR SPRING MOUNTING KIT (Per air spring)				
		S-22619/2	2		13.5" to 16" ride height
		S-22630/2	2		17" ride height
26	AIR SPRING SUPPORT CASTING				
		S-27447-1	1		13.5" and 14" ride height
		S-27447-3	1		15" ride height
		S-27447-4	1		16" and 17" ride height
27	SHOCK ABSORBER				
	Standard travel	S-23566	2		12" - 17" ride height
	Extended service with high damping	S-24023	2		12" - 17" ride height
28	SHOCK ABSORBER BOLT KIT (Per shock)	S-24049/2	2		One (1) required per shock
29	SHOCK SPACER (Included in Kit 28)	S-27196	2		
30	SHOCK MOUNT CLEVIS	C-20918	2		
31	SHOCK STRAP KIT (Not shown)				Includes (2) straps, (2) clevis and nylon ties
	Standard shock	C-23086-1	1		12" to 17" ride height
	Extended service with high damping	C-23086-2	1		12" to 17" ride height
32	TRI-FUNCTIONAL® BUSHING KIT¹	S-26321	1		Includes (2) bushings, shear bolts, nuts, hardened washers and pivot bolt kit, bushing tube spacers and lube
33	QUIK-ALIGN® PIVOT BOLT KIT	S-24705	2		Includes 7" shear-type bolt, nut and washers
34	ALIGNMENT COLLARS				
	34a Concentric alignment collar (Inner)	S-20924	2		Pivot bolt hole is centered
	34b Eccentric alignment collar (Outer)	S-20925	2		Pivot bolt hole is offset from center
35	BUSHING TUBE SPACER	S-26807	4		
36	BRAKE KITS COMPONENTS (Not shown)				See L1104
37	AXLE COMPONENTS (Not shown)				See L1102
38	BRAKE CHAMBER BRACKET	S-24697	2		

1. Bushing tool, S-24736 is required to properly re-bush the suspension.



OTHER PARTS LISTS

More information can be found in the following documents

Lit. Number	Description
L1102	Slider Accessories and Axle Components Parts List
L949	RTR® READY-TO-ROLL® Parts List
L589	TRI-FUNCTIONAL® Bushing Replacement Tool
L1063	Air Disc Brakes Parts List
L1104	Brake Kits and Components Parts List

Actual product performance may vary depending upon vehicle configuration, operation, service and other factors.

All applications must comply with applicable Hendrickson specifications and must be approved by the respective vehicle manufacturer with the vehicle in its original, as-built configuration. Contact Hendrickson for additional details regarding specifications, applications, capacities, and operation, service and maintenance instructions.

Call Hendrickson at 330.489.0045 or 866.RIDEAIR (743.3247) for additional information.



www.hendrickson-intl.com

TRAILER COMMERCIAL VEHICLE SYSTEMS

2070 Industrial Place SE
Canton, OH 44707-2641 USA
866.RIDEAIR (743.3247)
330.489.0045 • Fax 800.696.4416

Hendrickson Canada

250 Chrysler Drive, Unit #3
Brampton, ON Canada L6S 6B6
800.668.5360
905.789.1030 • Fax 905.789.1033

Hendrickson Mexicana

Circuito El Marqués Sur #29
Parque Industrial El Marqués
Pob. El Colorado, Municipio El Marqués,
Querétaro, México C.P. 76246
+52 (442) 296.3600 • Fax +52 (442) 296.3601

L916 Rev D 06-16

© 2011 – 2020 Hendrickson USA, L.L.C. All Rights Reserved. All trademarks shown are owned by Hendrickson USA, L.L.C., or one of its affiliates, in one or more countries. Information contained in this literature was accurate at the time of publication. Product changes may have been made after the copyright date that are not reflected.

Printed in United States of America