

H PARTS LIST

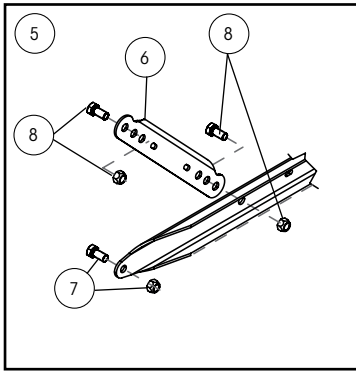
INTRAAX® AAEDL

LIT NO: L1058

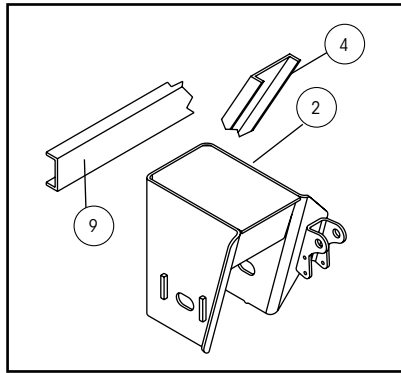
DATE: November 2020

REVISION: D

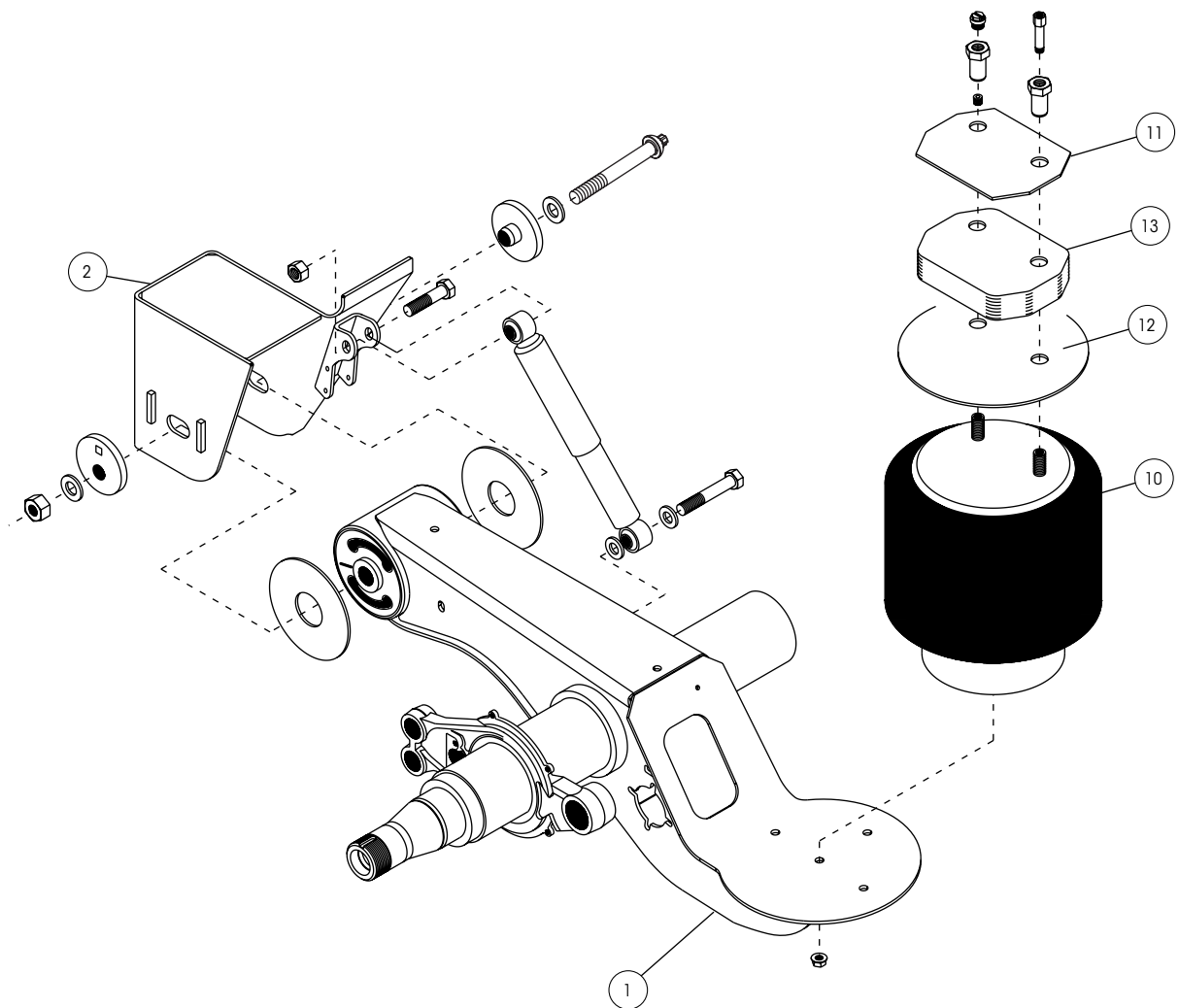




Bolt-on C-Channel



Wingless, weld-on frame bracket with QUIK-ALIGN®

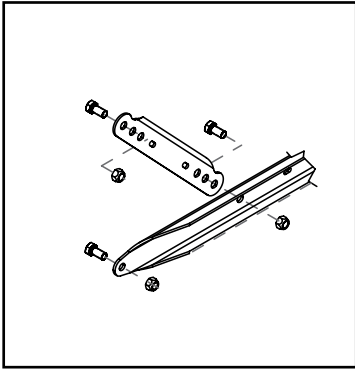




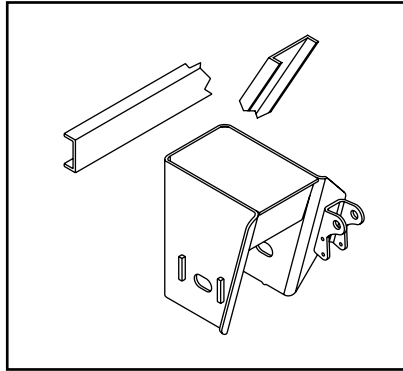
ITEM	DESCRIPTION	PART NO.	QTY.	NOTE
1	AXLE/BEAM WELDMENT	HTRAAX.XXX	1	Contact Hendrickson for assistance
2	FRAME BRACKET¹			See L1266 Frame Bracket Parts List
3	FRAME BRACKET GUSSET (Not shown)	S-27330	2	14" and 15" ride heights
4	FRAME BRACKET BRACE	B-2347-7	1	16" and 17" ride heights
5	BOLT-ON C-CHANNEL KIT²			
	71.5" Track	S-31901-3C	1	Standard/black primer; includes c-channel, 2 struts and strut bolt kit
	77.5" Track	S-31901-1C	1	Standard/black primer; includes c-channel, 2 struts and strut bolt kit
6	STRUT²	B-30591	2	
7	C-CHANNEL BOLT KIT	S-29822	1	Includes 2 screws and 2 prevailing torque nuts
8	STRUT BOLT KIT	S-30720	1	Includes 6 screws and 6 prevailing torque nuts
9	WELD-ON C-CHANNEL			
	71.5" - 77.5" Tracks	A-1631-19	1	3-inch c-channel
	83.5" - 85" Tracks	A-1631-35	1	3-inch c-channel
10	AIR SPRING (Standard Pressure)			
	9" ride height	S-24445	2	
	12" - 19" ride heights	S-24446	2	
11	AIR SPRING MOUNTING PLATE			
	Weld-on	S-20905	2	12" - 19" ride heights; standard air spring mounting plate
	Bolt-on ³	B-21145	2	13.5" - 19" ride heights; standard air spring mounting plate
		B-21715	2	13.5" - 19" ride heights; pattern 1 air spring mounting plate
		B-22390	2	13.5" - 19" ride heights; pattern 2 air spring mounting plate
		B-27264	2	13.5" - 19" ride heights; pattern 3 air spring mounting plate
12	AIR SPRING FLEX PLATE			
	Weld-on	S-23294	2	9" to 19" ride heights
	Bolt-on	B-24813	2	9" and 12" ride heights
		S-23294	2	14" to 19" ride heights
13	AIR SPRING SPACER⁴			
	14" ride height	B-22510-4	2	Weld-on and bolt-on hangers
	15" and 16" ride heights	B-22510-3	2	Weld-on and bolt-on hangers; Standard air spring mount
	15" and 16" ride heights	D-27049-8	2	Weld-on hangers; Thick 0.9" to 1.25" air spring mount
	17" ride height	D-27049-5	2	Weld-on hangers
	19" ride height	D-27049-4	2	Weld-on hangers

- Options exist based on frame attachment, frame bracket style, bolt hole pattern and connection. Contact Hendrickson for assistance or refer to L1266 Frame Bracket Parts List.
- Struts are only optional for bolt-on frame brackets. Other options exist for galvanized or different track widths.
- Please see INTRAAX Bolt-on Mounting Drawing, D-26651, for assistance in pattern selection. This drawing can be found in the literature section of the Hendrickson website (www.hendrickson-intl.com).
- Other options exist. Contact Hendrickson for assistance.

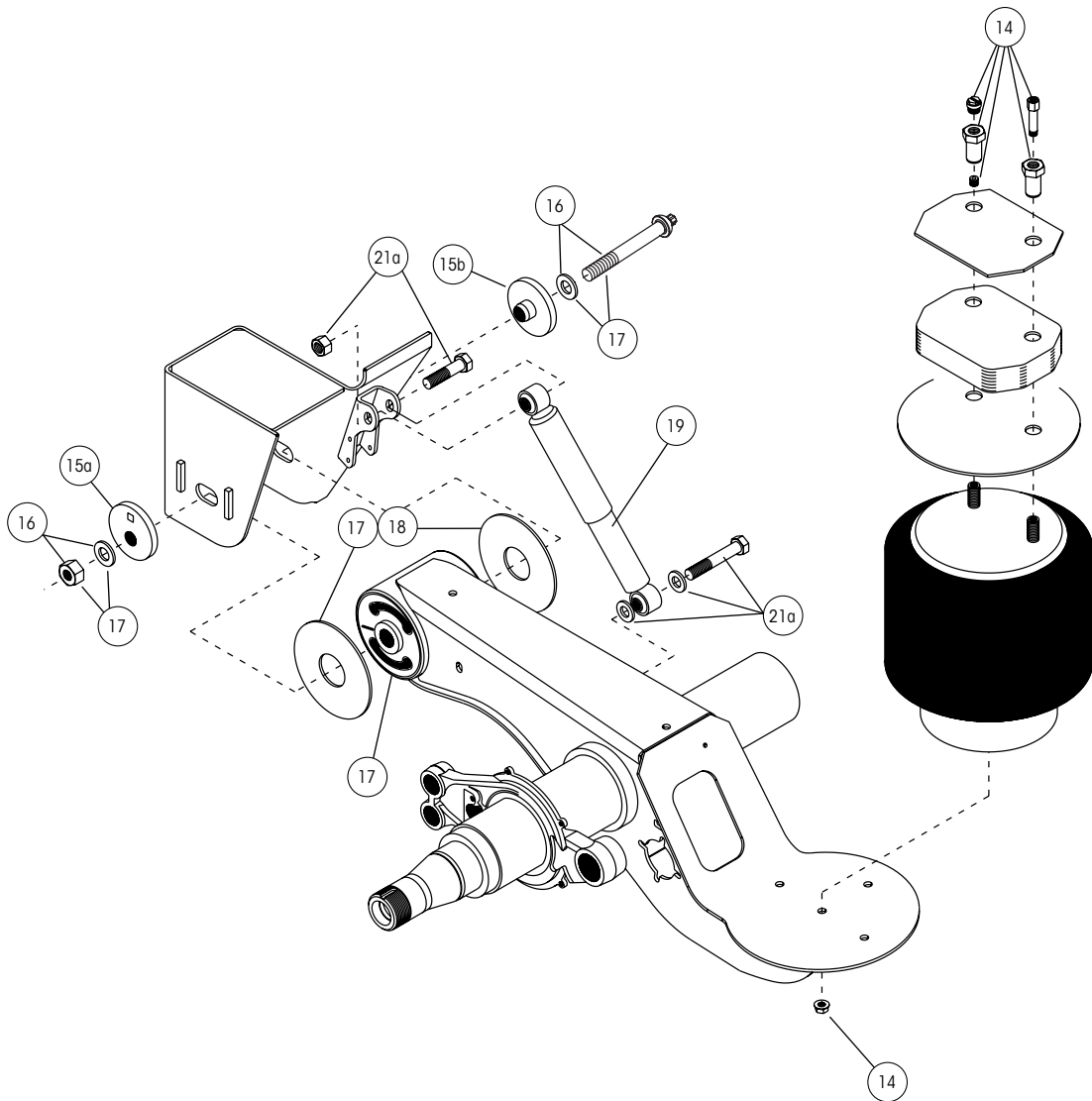
Note: Identification tag can be found on the inside of the curbside beam.



Bolt-on C-Channel



Wingless, weld-on frame bracket with QUIK-ALIGN®





ITEM	DESCRIPTION	PART NO.	QTY.	NOTE
14	AIR SPRING MOUNTING KIT			One (1) kit per air spring
	Standard travel			
	9" - 12" ride heights	S-25452/2	2	
	14" ride height	S-25453/2	2	
	15" - 16" ride heights	S-25455/2	2	
	17" - 19" ride heights	S-25452/2	2	
	Standard travel — Thick .90 - 1.25" Frame			
	9" - 12" ride heights — Thick .90 - 1.25" Frame	S-25453/2	2	
	14" ride height	S-25454/2	2	
	15" - 16" ride heights	S-25452/2	2	
	Limited jounce			
	9" - 12" ride heights — Thick .90 - 1.25" Frame	S-25454/2	2	
	14" ride height	S-25455/2	2	
	15" - 19" ride heights	S-25452/2	2	
	Limited jounce — Thick .90 - 1.25" Frame			
	14" ride height	S-25455/2	2	
15	ALIGNMENT COLLARS			
	15a Eccentric	S-20925	2	Pivot bolt hole is offset from center of collar
	15b Concentric	S-20924	2	Pivot bolt hole is in center of collar
16	QUIK-ALIGN® PIVOT BOLT KIT⁵			
	16a Pivot Bolt Kit	S-24679	2	Includes 10" shear-type bolt, nut and washers
	16b Pivot bolt kit w/bushing tube spacers			
	Standard	S-26369	2	Includes 10" shear-type bolt, nut, washers, and std. bushing tube spacers (Item 18)
	Off-Highway	S-40394-1	2	Includes 10" shear-type bolt, nut, washers, and off-highway bushing tube spacers (Item 18)
	16c Pivot bolt kit w/alignment collars	S-24680	2	Includes 10" shear-type bolt, nut, washers and alignment collars
17	TRI-FUNCTIONAL® PIVOT BUSHING KIT^{5, 6}			
	Standard	S-24691	2	Includes bushing, pivot bolt kit (Item 16), std. bushing tube spacers (Item 18) and lube
	Off-Highway	S-40393-1	2	Includes bushing, pivot bolt kit (Item 16), off-highway bushing tube spacers (Item 18) and lube
	Standard pivot bushing kit w/alignment collars	S-28654	1	Includes 2 bushings, 2 pivot bolt kits (Item 16), std. bushing tube spacers (Item 18), and lube
				4 required per axle
18	BUSHING TUBE SPACERS			
	Standard	S-21099	4	
	Off-Highway	S-40230-1	4	
19	FRONT SHOCK ABSORBER			Extended service / High damping
	9" ride height	S-24579	2	
	12" ride height	S-24023	2	
	14" - 19" ride heights	S-23316	2	
20	REAR SHOCK ABSORBER (Not shown)			
	9" - 12" ride heights	S-25436	2	
	14" - 17" ride heights	S-25437	2	
21	SHOCK BOLT KIT			(1) One kit per shock
	21a Front shock absorber	S-24757/2	2	
	21b Rear shock absorber (Not shown)	S-2157/2	2	

5. Best installed with Hendrickson's E-20 Socket S-24536 (1-inch drive sleeveless), S-25119 (1-inch drive sleeve), or S-24303 (3/4 inch drive sleeveless).
6. Bushing tool (S-21307) is required to correctly rebush the suspension.



ITEM	DESCRIPTION	PART NO.	QTY.	NOTE
REBOUND LIMITER COMPONENTS — Not Shown				
22	REBOUND LIMITER CHAIN			
	9" ride height	SA-9600-10	2	10 links
	12" ride height	SA-9600-12	2	12 links
	14" - 17" ride heights	SA-9600-14	2	14 links
	19" ride height	SA-9600-16	2	16 links
23	CHAIN BRACKET FLANGED BOLT	SA-6900-18	2	
		SA-6900-20	4	
24	CHAIN BRACKET FLANGED NUT	SA-7000-2	2	
		SA-7000-6	4	
25	ADJUSTMENT BRACKET	C-25426	2	
26	ADJUSTMENT ARM	B-25270	2	
27	ADJUSTMENT ARM JAM NUT	SA-3300-2	2	
28	LOWER CHAIN BRACKET (L)	C-25271-1	1	
29	LOWER CHAIN BRACKET (R)	C-25271-2	1	
30	CHAIN BRACKET BOLT	SA-1000-31	6	
31	CHAIN BRACKET NUT	SA-8900-3	6	
32	CHAIN BRACKET WASHER	SA-1500-6	12	

*Actual product performance may vary depending upon vehicle configuration, operation, service and other factors.
All applications must comply with applicable Hendrickson specifications and must be approved by the respective vehicle manufacturer with the vehicle in its original, as-built configuration.
Contact Hendrickson for additional details regarding specifications, applications, capacities, and operation, service and maintenance instructions.*

Call Hendrickson at 330.489.0045 or 866.RIDEAIR (743.3247) for additional information.



www.hendrickson-intl.com

TRAILER COMMERCIAL VEHICLE SYSTEMS

2070 Industrial Place SE
Canton, OH 44707-2641 USA
866.RIDEAIR (743.3247)
330.489.0045 • Fax 800.696.4416

Hendrickson Canada

250 Chrysler Drive, Unit #3
Brampton, ON Canada L6S 6B6
800.668.5360
905.789.1030 • Fax 905.789.1033

Hendrickson Mexicana

Circuito El Marqués Sur #29
Parque Industrial El Marqués
Pob. El Colorado, Municipio El Marqués,
Querétaro, México C.P. 76246
+52 (442) 296.3600 • Fax +52 (442) 296.3601

L1058 Rev D 11-20

© 2012 – 2020 Hendrickson USA, L.L.C. All Rights Reserved. All trademarks shown are owned by Hendrickson USA, L.L.C., or one of its affiliates, in one or more countries.
Information contained in this literature was accurate at the time of publication. Product changes may have been made after the copyright date that are not reflected.

Printed in United States of America