

H PARTS LIST

HT250T TOP MOUNT

LIT NO: L937

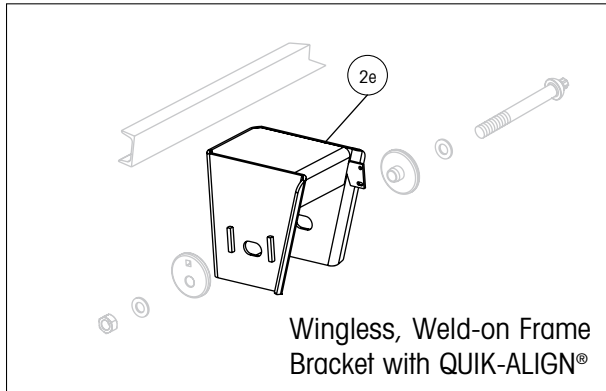
DATE: June 2019

REVISION: C



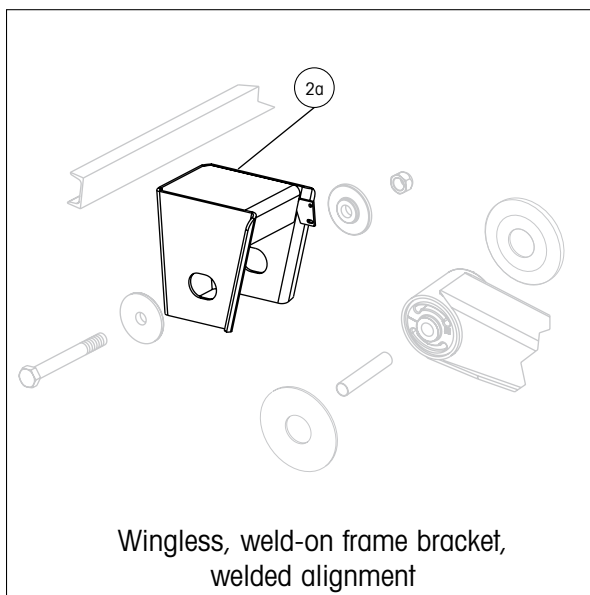
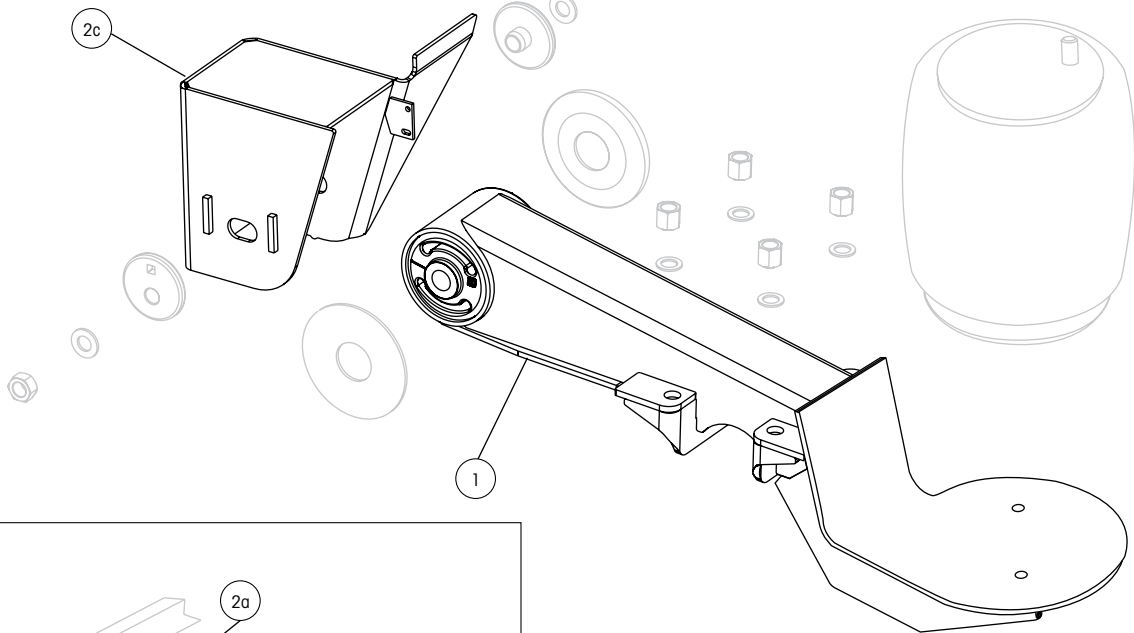


Picture shown may not resemble all models.



Wingless, Weld-on Frame Bracket with QUIK-ALIGN®

Winged, Weld-on Frame Bracket with QUIK-ALIGN



Wingless, weld-on frame bracket, welded alignment



HT250T TOP MOUNT PARTS LIST

ITEM	DESCRIPTION	PART NO.	QTY. PER SUSP.	FITS MODELS HT250 ? or N-HT250 ?		
1	BEAM ASSEMBLY¹					
	Roadside	S-20602-1	1	All models		
	Curbside	S-20602-2	1	All models		
2	FRAME BRACKET					
	2a Wingless, Weld-on, Welded Alignment					
	Roadside	S-20064-1	1	T-12-001	T-12-003	T-12-006
	Curbside	S-20064-2	1	T-12-020	T-14-001	T-14-003
				T-14-006	T-14-021	T-15-001
				T-15-006	T-15-021	-15-022
				T-15-023	T-15-026	
	Roadside	S-20065-1	1	T-16-001	T-16-003	T-16-006
	Curbside	S-20065-2	1	T-16-021	T-16-022	T-17-001
				T-17-006	T-17-020	T-17-021
				T-17-022	T-17-023	T-17-501
	Roadside	S-14190-1	1	T-19-001		
	Curbside	S-14190-2	1			
	Roadside	C-21040-1	1	T-16-016		
	Curbside	C-21040-2	1			
	2b Wingless, Bolt-on, Welded Alignment (Not Shown)					
	Roadside	S-20008-1	1	T-16-002	T-17-002	
	Curbside	S-20008-2	1			
	Roadside	S-20396-1	1	T-19-002	T-19-004	
	Curbside	S-20396-2	1			
	Roadside	S-20007-1	1	T-12-002	T-14-002	T-15-002
	Curbside	S-20007-2	1			
	Roadside	S-20047-1	1 ²	T-15-025		
	Curbside	S-20047-2	1 ²			
	2c Winged, Weld-on, QUIK-ALIGN®					
	Roadside	S-21193-1	1	TA19-001		
	Curbside	S-21193-2	1			
	Roadside	S-21179-1	1	TA12-001	TA14-001	TA14-021
	Curbside	S-21179-2	1	TA15-001	TA15-021	
	Roadside	S-21165-1	1	TA16-001	TA16-021	TA17-001
	Curbside	S-21165-2	1	TA17-020	TA17-021	
	Roadside	S-21179-3	1	TA14-016		
	Curbside	S-21179-4	1			
	2d Winged, Bolt-on, QUIK-ALIGN (Not Shown)					
	Roadside	S-21204-1	1	TA12-002	TA14-002	TA15-002
	Curbside	S-21204-2	1			
	Roadside	S-21205-1	1	TA16-002	TA17-002	
	Curbside	S-21205-2	1			
	Roadside	S-25812-1	1	TA14-070		
	Curbside	S-25812-2	1			

¹ Lower shock clevis (item # 11) is included with beam assembly.

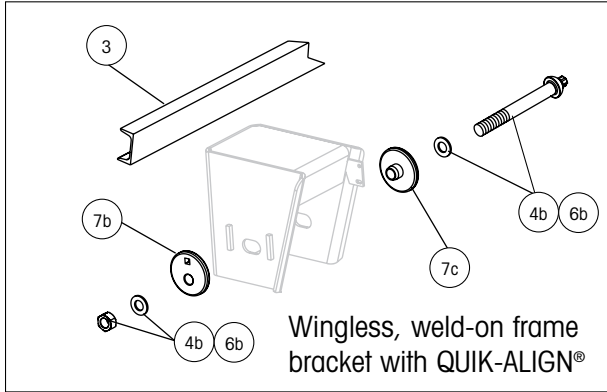
² Trailer manufacturer or OEM supplied bolt-on mounting plate.

NOTE: Identification tag can be found on the front of the roadside frame bracket or the inside of the curbside beam.

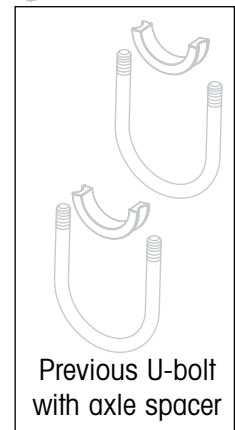
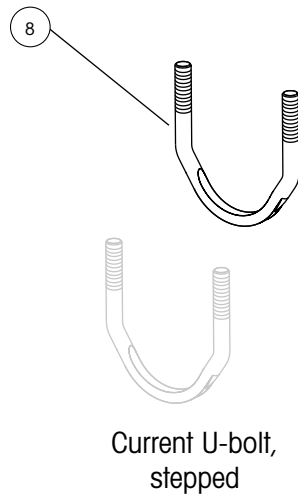
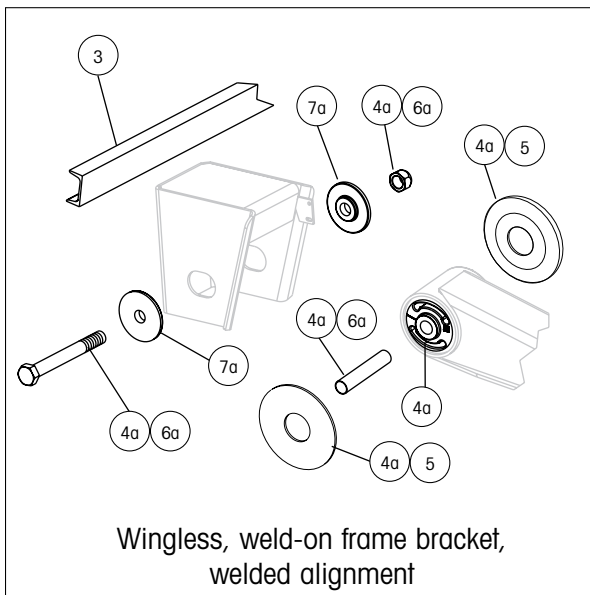
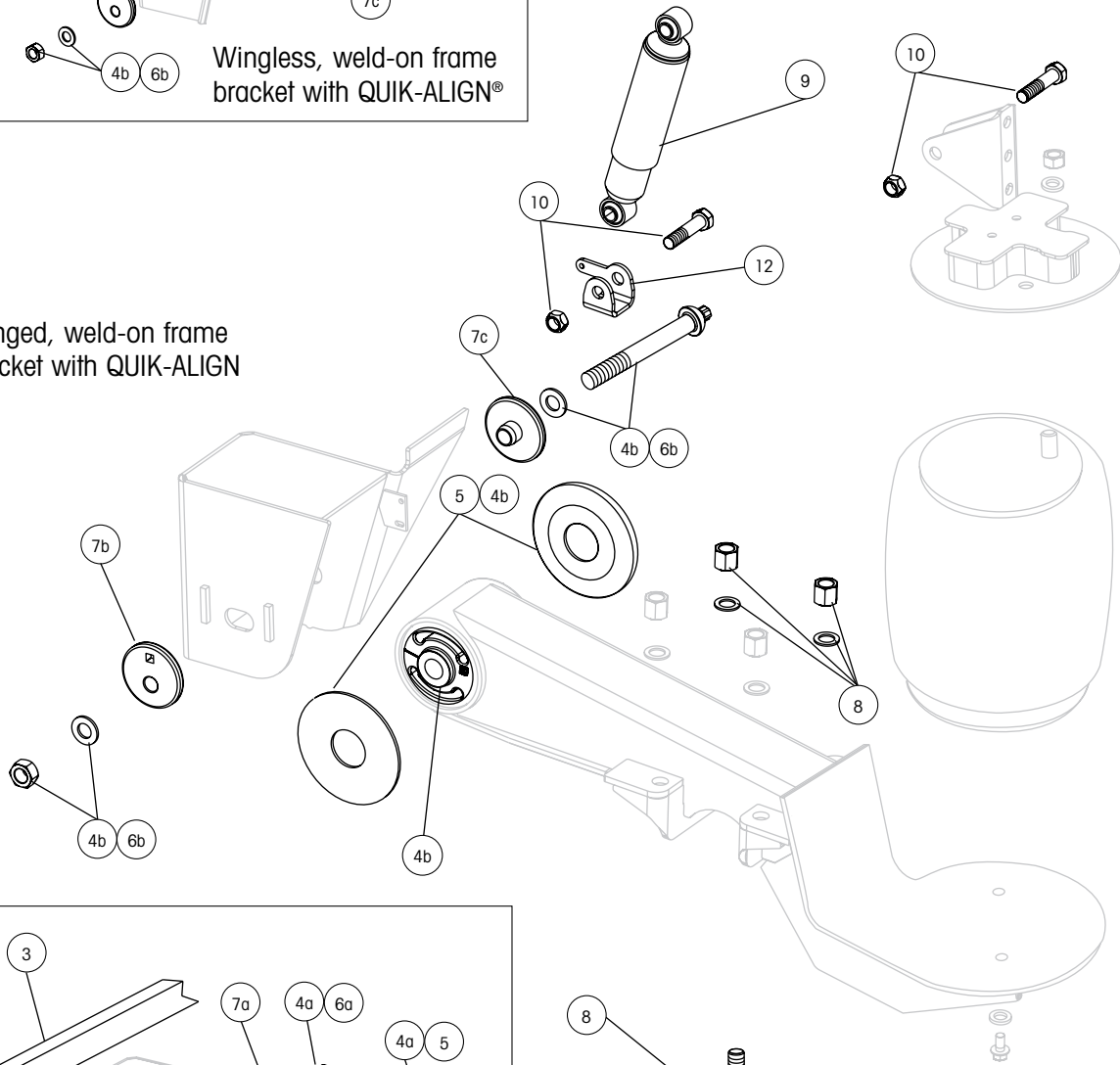
HT250T TOP MOUNT PARTS LIST



Picture shown may not resemble all models.



Winged, weld-on frame bracket with QUIK-ALIGN





HT250T TOP MOUNT PARTS LIST

ITEM	DESCRIPTION	PART NO.	QTY. PER SUSP.	FITS MODELS HT250 ? or N-HT250 ?
2e Wingless, Weld-on, QUIK-ALIGN®				
	Roadside	S-21590-1	1	TB12-001 TB12-003 TB12-024
	Curbside	S-21590-2	1	TB12-029 TB14-001 TB14-003
				TB14-015 TB14-021 TB14-022
				TB14-024 TB15-001 TB15-021
				TB15-023 TB15-024 TB15-025
				TB15-026
	Roadside	S-21592-1	1	TB16-001 TB16-020 TB16-021
	Curbside	S-21592-2	1	TB16-022 TB16-023 TB16-024
				TB16-026 TB17-001 TB17-020
				TB17-021 TB17-024 TB17-026
				TB17-027 TB17-028
	Roadside	S-23461-1	1	TB19-001
	Curbside	S-23461-2	1	
2f Wingless, Bolt-on, QUIK-ALIGN (Not Shown)				
	Roadside	S-22137-1	1	TB12-002
	Curbside	S-22137-2	1	
	Roadside	S-25494-1	1	TB14-071
	Curbside	S-25494-2	1	
	Roadside	S-25109-1	1	TB15-036
	Curbside	S-25109-2	1	
3	FRAME BRACKET C-CHANNEL	A-1631-19	1	All models
4	TRI-FUNCTIONAL® II BUSHING KIT³			
	4a Welded Alignment	S-6914	2	Includes bushing, bushing tube spacers, cap screw, prevailing torque hex nut, liner and lube
	4b QUIK-ALIGN	S-24691	2	Includes bushing, bushing tube spacers, round head bolt, prevailing torque hex nut, hardened washers and lube
5	BUSHING TUBE SPACER	S-21099	4	All models
6	PIVOT BOLT KIT			
	6a Welded Alignment	S-3646	2	Includes cap screw, prevailing torque hex nut and liner
	6b QUIK-ALIGN	S-24679	2	Includes round head bolt, hardened washers and prevailing torque hex nut
7	ALIGNMENT COLLARS			
	7a Welded Alignment	S-2770	4	Collars are welded to frame bracket
	7b Eccentric QUIK-ALIGN (outer)	S-20925	2	Alignment hole is off center
	7c Concentric QUIK-ALIGN (inner)	S-20924	2	Alignment hole is centered
8	U-BOLT KIT	S-21140 / 4	4	Includes (1) stepped U-bolt and hardware. Axle spacer is not needed with stepped U-bolt.
9	SHOCK ABSORBER	S-2212	2	All models
10	SHOCK BOLT KIT	S-20031 / 2	2	All models
11	SHOCK STRAP KIT (Not Shown)	S-14587-3	1	Includes (4) nylon ties and (2) shock straps Use with S-2212 shock
12	LOWER SHOCK CLEVIS⁴	S-20069	2	All models

³ Bushing tool S-21307 is required to correctly re-bush the suspension.

⁴ Lower shock clevis is included with beam assembly (item # 1).

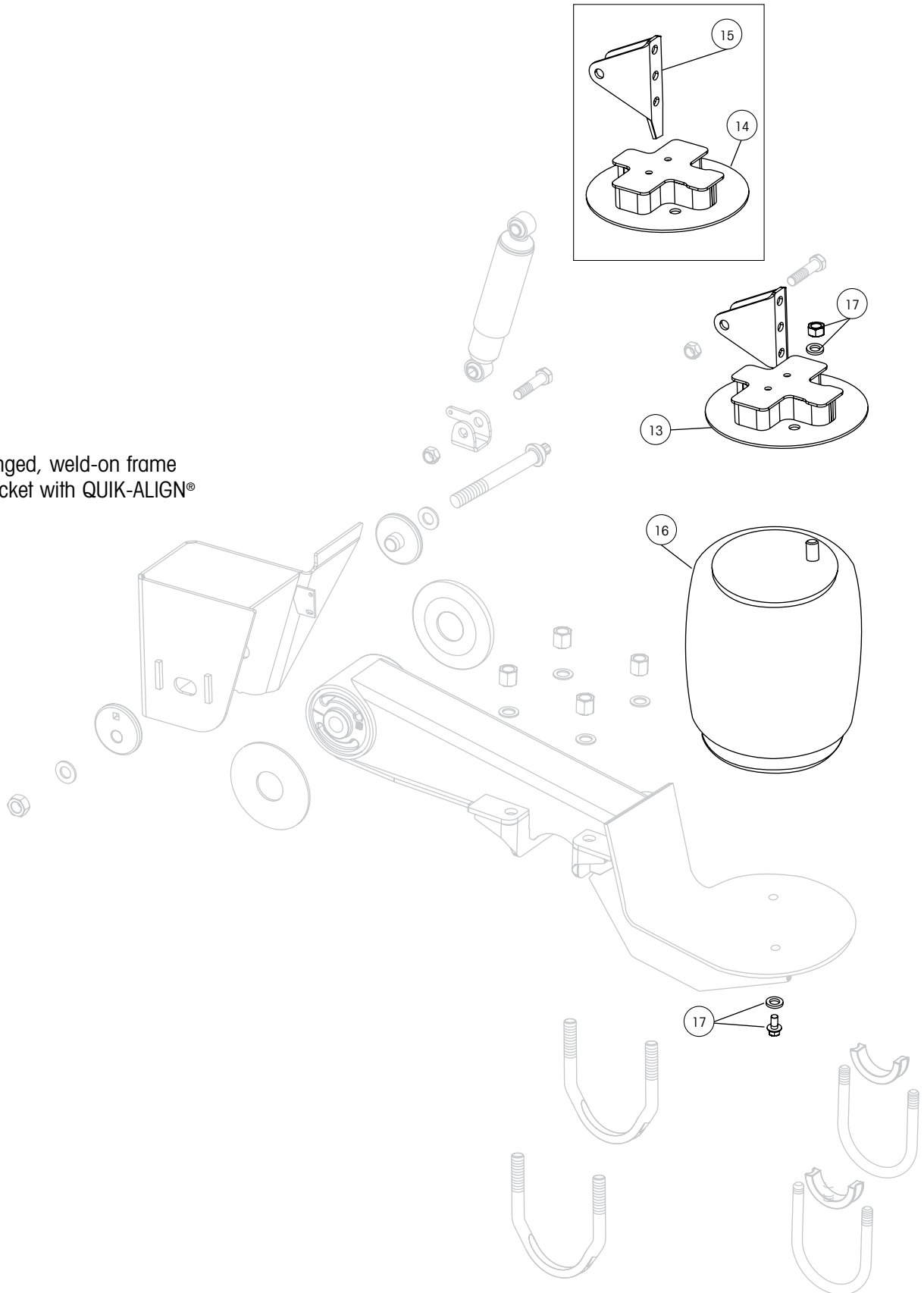
NOTE: Identification tag can be found on the front of the roadside frame bracket or the inside of the curbside beam.

HT250T TOP MOUNT PARTS LIST



Picture shown may not resemble all models.

Winged, weld-on frame
bracket with QUIK-ALIGN®





HT250T TOP MOUNT PARTS LIST

ITEM DESCRIPTION	PART NO.	QTY. PER SUSP.	FITS MODELS HT250 ? or N-HT250 ?		
13 AIR SPRING SHOCK MOUNT⁵					
Roadside	C-21212-1	1	T-12-002	T-14-002	TA12-002
Curbside	C-21212-2	1	TA14-002	TA14-070	TB12-002
			TB14-071	TC14-060	
Roadside	C-21213-1	1	T-19-002	TC19-061	
Curbside	C-21213-2	1			
Roadside	C-21214-1	1	T-19-004		
Curbside	C-21214-2	1			
Roadside	C-21216-1	1	T-12-001	T-12-006	T-14-001
Curbside	C-21216-2	1	T-14-006	TA12-001	TA14-001
			TB12-001	TB12-024	TB14-001
			TB14-022	TB14-024	TB14-071
Roadside	C-21217-1	1	T-13-021	T-15-001	T-15-006
Curbside	C-21217-2	1	TA15-001	TB15-001	TB15-024
			TB15-025		
Roadside	C-21218-1	1	T-16-001	T-16-006	TA14-021
Curbside	C-21218-2	1	TA16-001	TB16-001	TB16-024
			TB16-025		
Roadside	C-21219-1	1	T-17-001	T-17-006	T-17-022
Curbside	C-21219-2	1	T-17-501	TA17-001	TB17-001
			TB17-024		
Roadside	C-21220-1	1	T-15-002	T-15-026	TA15-002
Curbside	C-21220-2	1	TA15-036	TB15-026	TB15-036
			TC15-061	TC15-060	
Roadside	C-21222-1	1	T-17-002	TA17-002	TB17-026
Curbside	C-21222-2	1	TC17-060	TC17-061	
Roadside	C-21223-1	1	T-19-001	TA19-001	TB19-001
Curbside	C-21223-2	1			
Roadside	C-21221-1	1	T-16-002	TA16-002	TB16-026
Curbside	C-21221-2	1			
Roadside	C-25932-1	1	TA16-021		
Curbside	C-25932-2	1			
14 AIR SPRING SPACER ASSEMBLY⁵			Includes air spring plate and assembly		
	C-21210-3	2	T-14-021	TB14-021	
	C-21210-4	2	T-15-021	T-15-022	T-15-023
			TA15-021	TB15-021	TB15-023
				TB17-027	TB17-028
	C-21210-5	2	T-16-021	T-16-022	TB16-021
				TB16-022	
	C-21210-6	2	T-17-020	T-17-021	T-17-023
			TA17-021	TA17-020	TB16-020
			TB17-020	TB17-021	
15 UPPER SHOCK BRACKET	S-20023	2	All models		
16 AIR SPRING	S-20124	2	Fits all models unless shown below		
	S-20127	2	T-17-022	TB15-025	
17 AIR SPRING MOUNTING KIT	S-20033 / 2	2	All models		
18 UNIVERSAL HEIGHT CONTROL VALVE (Not Shown)	VS-227	1 ⁶	Fits all models. Includes height control valve, exhaust line, and spacer bracket		
19 UNIVERSAL LINKAGE ASSEMBLY (Not Shown)	S-14187	1 ⁶	Includes linkage assembly and hardware		
20 AUTOMATIC DUMP VALVE (Not Shown)	VS-23460	1 ⁶	Includes dump valve and fittings		
21 PRESSURE PROTECTION VALVE (Not Shown)	VS-1128	1 ⁶	Includes valve only		

⁵ Component may vary for slider suspensions based on slider box manufacturer. Contact Hendrickson for assistance.

⁶ Quantities for air control components are per trailer.

NOTE: Identification tag can be found on the front of the roadside frame bracket or the inside of the curbside beam.

*Actual product performance may vary depending upon vehicle configuration, operation, service and other factors.
All applications must comply with applicable Hendrickson specifications and must be approved by the respective vehicle manufacturer with the vehicle in its original, as-built configuration.
Contact Hendrickson for additional details regarding specifications, applications, capacities, and operation, service and maintenance instructions.*

Call Hendrickson at 330.489.0045 or 866.RIDEAIR (743.3247) for additional information.



www.hendrickson-intl.com

TRAILER COMMERCIAL VEHICLE SYSTEMS

2070 Industrial Place SE
Canton, OH 44707-2641 USA
866.RIDEAIR (743.3247)
330.489.0045 • Fax 800.696.4416

Hendrickson Canada

250 Chrysler Drive, Unit #3
Brampton, ON Canada L6S 6B6
800.668.5360
905.789.1030 • Fax 905.789.1033

Hendrickson Mexicana

Circuito El Marqués Sur #29
Parque Industrial El Marqués
Pob. El Colorado, Municipio El Marqués,
Querétaro, México C.P. 76246
+52 (442) 296.3600 • Fax +52 (442) 296.3601

L937 Rev F 06-19

© 2006 – 2019 Hendrickson USA, L.L.C. All Rights Reserved. All trademarks shown are owned by Hendrickson USA, L.L.C., or one of its affiliates, in one or more countries.
Information contained in this literature was accurate at the time of publication. Product changes may have been made after the copyright date that are not reflected.

Printed in United States of America