

**NOTE!** Parts List H731 covers Hendrickson legacy suspensions. Some part numbers have changed from previous revisions of PL\_H731. Some parts are no longer available! Please contact Hendrickson Customer Service to confirm availability.

# PARTS LIST

## REPLACEMENT PARTS: STEERABLE SUSPENSION SYSTEMS ST AND PRIOR

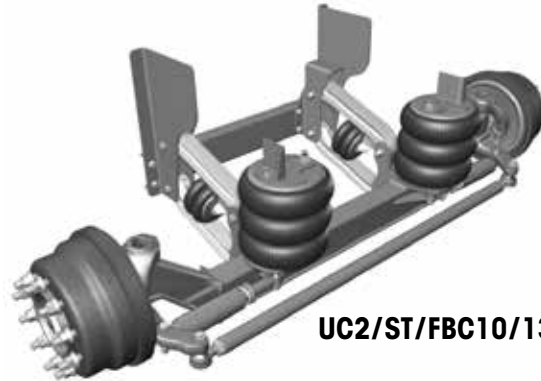
LIT NO: H731

DATE: January 2021

REVISION: E



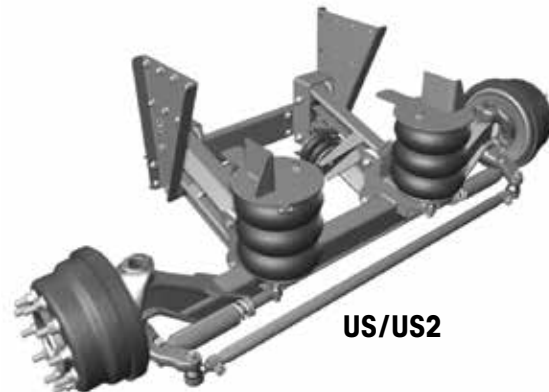
**PST20**



**UC2/ST/FBC10/13**



**UR2T13**



**US/US2**

### TABLE OF CONTENTS

#### TRUCK MOUNT

Suspension: Exploded-View Drawings.....	3-4
Suspension: Components .....	5-10

#### TRAILER MOUNT

Trailer-Specific Components.....	11-13
----------------------------------	-------

#### AXLE ASSEMBLIES

Axle Exploded-View Drawings .....	14
Axle Components.....	15-19

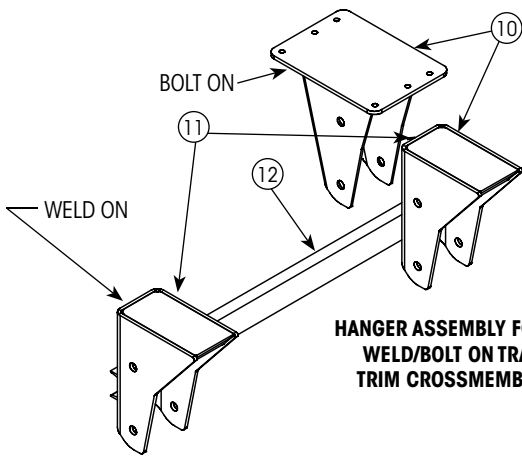
**Please note the following clarifications throughout Parts List H731 Rev. E:**

- As seen in part numbers: "-1" indicates **Driver's Side**; "-2" indicates **Passenger's Side** (Typical). Check page 3 for Inboard/Outboard clarifications.

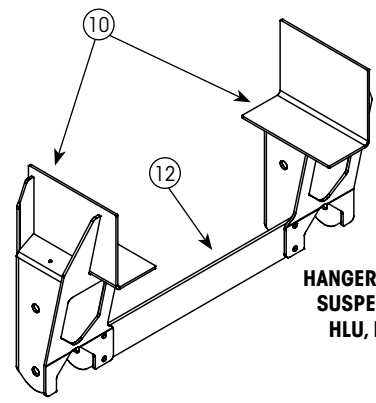


# REPLACEMENT PARTS FOR AFTERMARKET SUSPENSIONS

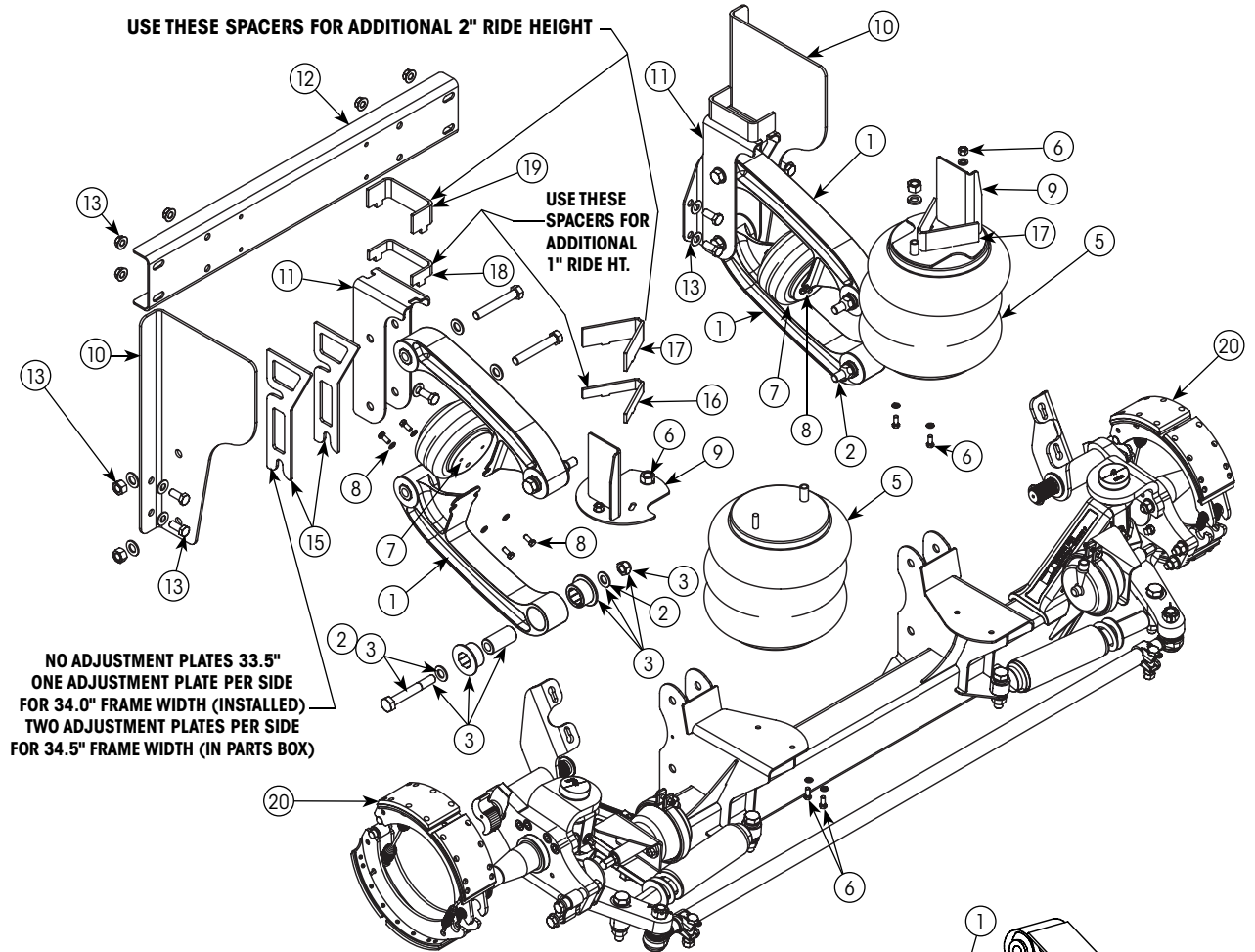
TRUCK MOUNT



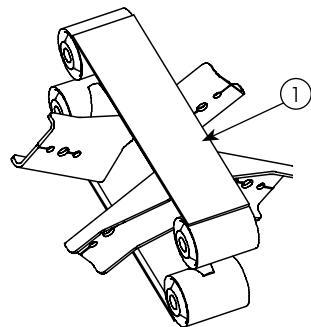
**HANGER ASSEMBLY FOR SUSPENSION  
WELD/BOLT ON TRAILER MOUNT  
TRIM CROSSMEMBER TO LENGTH**



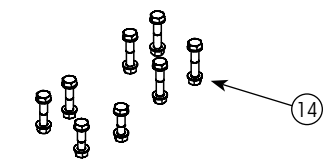
**HANGER ASSEMBLY FOR  
SUSPENSION SERIES  
HLU, PT13 & PT20**



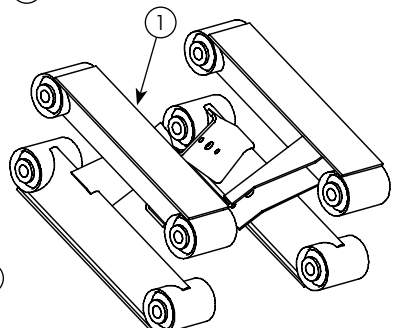
**NO ADJUSTMENT PLATES 33.5"  
ONE ADJUSTMENT PLATE PER SIDE  
FOR 34.0" FRAME WIDTH (INSTALLED)  
TWO ADJUSTMENT PLATES PER SIDE  
FOR 34.5" FRAME WIDTH (IN PARTS BOX)**



**HLP 20K  
TRAILING ARM BEAMS**



**14 - AXLE SEAT BOLT KIT  
SUSPENSION SERIES  
HLP & PST**

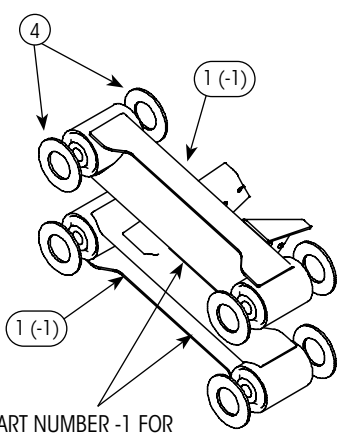
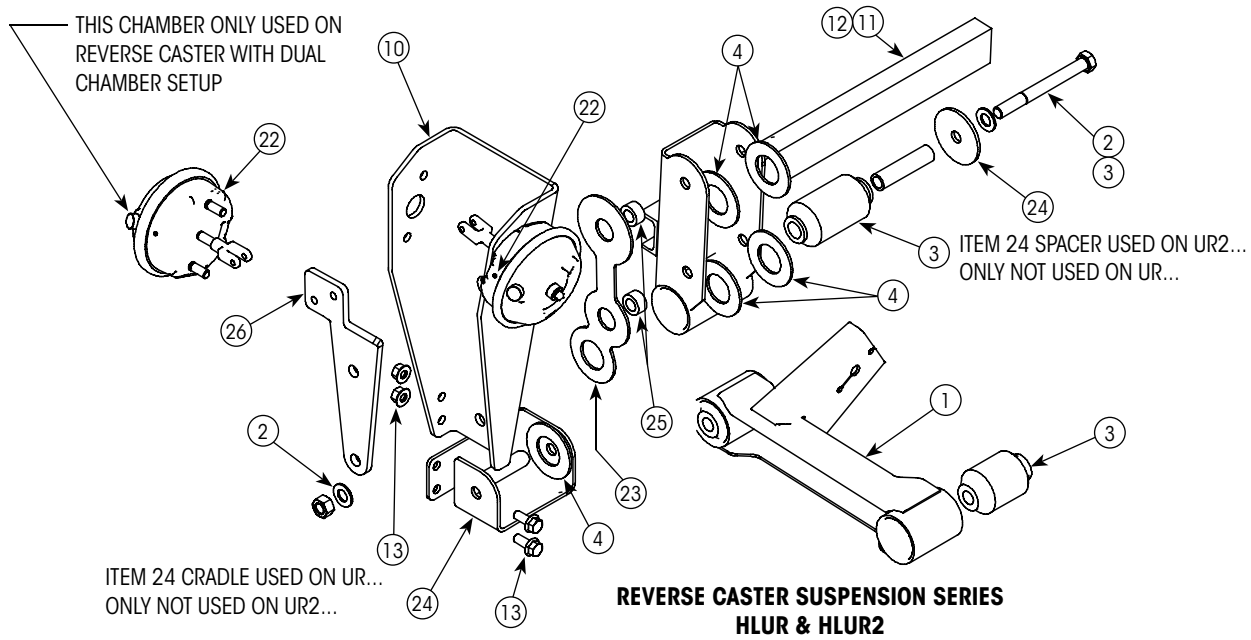


**FOR 13K SUSPENSION SERIES HLP, HLU, HLUW & HLUB  
SUSPENSION PREFIX PT, PW, PB, UT, UW & UB  
INBOARD AND OUTBOARD METHOD APPLY**



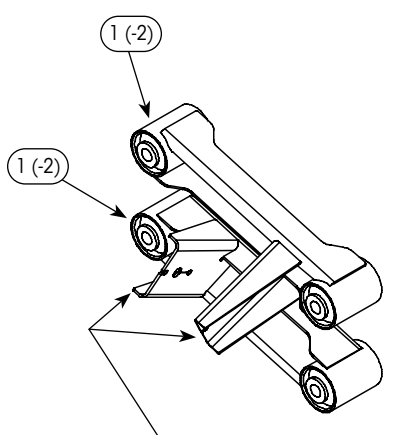
# REPLACEMENT PARTS FOR AFTERMARKET SUSPENSIONS

TRUCK MOUNT

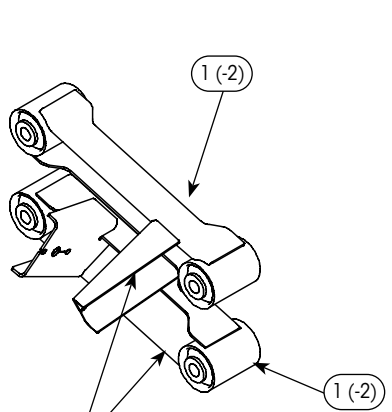


BEAM PART NUMBER -1 FOR  
INBOARD MOUNTED LIFT BAGS  
RE: MODEL NUMBER  
(PRE-FIX) 13B-04BIC  
(DRIVER'S SIDE)

### INBOARD CLARIFICATION

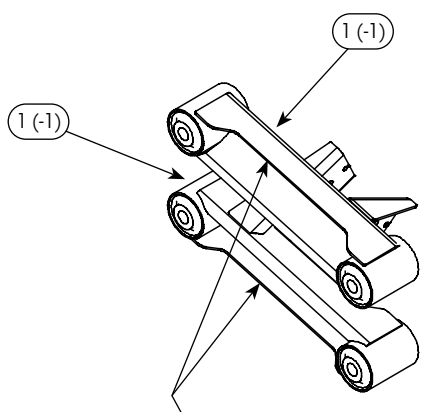


BEAM PART NUMBER -2 FOR  
INBOARD MOUNTED LIFT BAGS  
(PASSENGER'S SIDE)



BEAM PART NUMBER -2 FOR  
OUTBOARD MOUNTED LIFT BAGS  
RE: MODEL (PRE-FIX) 13B-04BOC  
(DRIVER'S SIDE)

### OUTBOARD CLARIFICATION



BEAM PART NUMBER -1 FOR  
OUTBOARD MOUNTED LIFT BAGS  
(PASSENGER'S SIDE)



# REPLACEMENT PARTS FOR AFTERMARKET SUSPENSIONS

TRUCK MOUNT

1 - 2 - 3 - 4

ITEM	DESCRIPTION	YEARS OF SERVICE	SUSPENSION SERIES	TRUCK PREFIX	QTY.	PART NO.
1*	BEAM ASSEMBLY	1997 - 1997	HLU	UT13	2	R-D-14784-1/-2
		1997 - 1999	HLUS	UST13	2	R-002006-1/-2
		1999 - 2012	PST13 KIT ONLY	PST13	2	R-002006-1/-2
		1999 - 2000	HLUR	URT13	2	R-002968-1/-2
		1999 - 2005	HLUS2	US2T13	2	R-002006-1/-2
		2000 - 2013	HLUR2T	UR2T13	2	R-004556-1/-2
		2002 - 2002	UCL	UCLT13	4	R-004610
		2002 - 2007	UC2, UC3, UC4	UC2T13 (or 3, or 4)	4	R-005733
		2004 - 2006	FBC 8K	FBT08	4	R-004933*
		2007 - 2010	FBC 10K	FBT10	4	R-004933*
		2007 - 2010	ST 13K	STT13	4	R-005733
		1999 - 2012	PST13 KIT ONLY	PST13	2	R-002006-1/-2
		2008 - 2012	PST20	PST20	2	R-011374-1/-2
		1996 - 2008	PT20	PT20_	4	R-001332
		2	PIVOT BOLT KIT	1997 - 1997	HLU	UT13
1997 - 1999	HLUS			UST13	1	R-A-14488
1999 - 2012	PST13 KIT ONLY			PST13	1	R-A-14488
1999 - 2000	HLUR			URT13	1	R-002551
1999 - 2005	HLUS2			US2T13	1	R-A-14488
2000 - 2013	HLUR2T			UR2T13	1	R-004139
2002 - 2002	UCL			UCLT13	1	R-A-14488
2002 - 2007	UC2, UC3, UC4			UC2T13 (or 3, or 4)	1	R-005009
2004 - 2006	FBC 8K			FBT08	1	R-005009
2007 - 2010	FBC 10K			FBT10	1	R-005009
2007 - 2010	ST 13K			STT13	1	R-005009
2007 - 2010	ST 13K ADJ			STT13	1	R-007659
1999 - 2012	PST13 KIT ONLY			PST13	1	R-A-14488
2008 - 2012	PST20			PST20	1	R-007040
2009 - 2012	PST20 ADJ			PST20	1	R-007961
1996 - 2008	PT20	PT20_	1	R-A-14488		
3	BUSHING & PIVOT BOLT KIT	1997 - 1997	UT13	UT13	1	R-009560
		1997 - 1999	HLUS	UST13	1	R-009560
		1999 - 2012	PST13 KIT ONLY	PST13	1	R-009560
		1999 - 2000	HLUR	URT13	1	R-009560-1
		1999 - 2005	HLUS2	US2T13	1	R-009560
		2000 - 2013	HLUR2T	UR2T13	1	R-009560-1
		2002 - 2002	UCL	UCLT13	8	R-004783
		2002 - 2005	UC2, UC3, UC4	UC2T13 (or 3, or 4)	1	R-008839
		2004 - 2006	FBC 8K	FBT08	1	R-008839
		2007 - 2010	FBC 10K	FBT10	1	R-008839
		2007 - 2010	ST 13K	STT13	1	R-008839
		2007 - 2010	ST 13K ADJ	STT13	1	R-008839-1
		1999 - 2012	PST13 KIT ONLY	PST13	1	R-009560
		2008 - 2012	PST20	PST20	1	R-009560-2
		2009 - 2012	PST20 ADJ	PST20	1	R-009560-3
1996 - 2008	PT20	PT20_	1	R-009560		
4	WEAR PADS (INCLUDED W/ITEM 3)	1997 - 1997	UT13	UT13	16	R-B-14495
		1997 - 1999	HLUS	UST13	16	R-B-14495
		1999 - 2012	PST13 KIT ONLY	PST13	16	R-B-14495
		1999 - 2000	HLUR	URT13	16	R-B-14495
		1999 - 2005	HLUS2	US2T13	16	R-B-14495
		2000 - 2013	HLUR2T	UR2T13	16	R-B-14495
		2002 - 2002	UCL	UCLT13	16	R-B-14495
		1996 - 2008	PT20	PT20_	16	R-B-14495

\*ITEM 1: Aluminum casting – to upgrade to steel, replace all four beams with R-005733.

# REPLACEMENT PARTS FOR AFTERMARKET SUSPENSIONS



ITEM	DESCRIPTION	YEARS OF SERVICE	SUSPENSION SERIES	TRUCK PREFIX	QTY.	PART NO.
5	RIDE SPRING	1997 - 1997	HLU	UT13	2	R-B-14487
		1997 - 1999	HLUS	UST13	2	R-B-14487
		1999 - 2012	PST13 KIT ONLY	PST13	2	R-B-14487
		1999 - 2000	HLUR	URT13	2	R-B-14487
		1999 - 2005	HLUS2	US2T13	2	R-B-14487
		2000 - 2013	HLUR2T	UR2T13	2	R-B-14487
		2002 - 2002	UCL	UCLT13	2	R-B-14487
		2002 - 2005	UC2, UC3, UC4	UC2T13 (or 3, or 4)	2	R-B-14487
		2004 - 2006	FBC 8K	FBT08	2	R-B-14487
		2007 - 2010	FBC 10K	FBT10	2	R-B-14487
		2007 - 2010	ST 13K	STT13	2	R-B-14487
		1999 - 2012	PST13 KIT ONLY	PST13	2	R-B-14487
		2008 - 2012	PST20	PST20	2	R-001346
		1996 - 2008	PT20	PT20_	2	R-001346
6	RIDE SPRING BOLT KIT	1997 - 1997	HLU	UT13	2	R-007596
		1997 - 1999	HLUS	UST13	2	R-007596
		1999 - 2012	PST13 KIT ONLY	PST13	2	R-007596
		1999 - 2000	HLUR	URT13	2	R-007596
		1999 - 2005	HLUS2	US2T13	2	R-007596
		2000 - 2013	HLUR2T	UR2T13	2	R-007596
		2002 - 2002	UCL	UCLT13	2	R-007596
		2002 - 2005	UC2, UC3, UC4	UC2T13 (or 3, or 4)	2	R-007596
		2004 - 2006	FBC 8K	FBT08	2	R-007596
		2007 - 2010	FBC 10K	FBT10	2	R-007596
		2007 - 2010	ST 13K	STT13	2	R-007596
		1999 - 2012	PST13 KIT ONLY	PST13	2	R-007596
		2008 - 2012	PST20	PST20	2	R-001357
		1996 - 2008	PT20	PT20_	2	R-001357
7	LIFT SPRING	1997 - 1997	HLU	UT13	2	R-B-14486
		1997 - 1999	HLUS	UST13	2	R-B-14486
		1999 - 2012	PST13 KIT ONLY	PST13	2	R-B-14486
		1999 - 2000	HLUR	URT13	2	R-002878
		1999 - 2005	HLUS2	US2T13	2	R-B-14486
		2000 - 2013	HLUR2T	UR2T13	2	R-B-14486
		2002 - 2002	UCL	UCLT13	2	R-004647
		2002 - 2005	UC2, UC3, UC4	UC2T13 (or 3, or 4)	2	R-005079
		2004 - 2006	FBC 8K	FBT08	2	R-005079
		2007 - 2010	FBC 10K	FBT10	2	R-005079
		2007 - 2010	ST 13K	STT13	2	R-005079
		1999 - 2012	PST13 KIT ONLY	PST13	2	R-B-14486
		2008 - 2012	PST20	PST20	2	R-B-14486
		1996 - 2008	PT20	PT20_	2	R-001347

TRUCK MOUNT  
5 - 6 - 7



# REPLACEMENT PARTS FOR AFTERMARKET SUSPENSIONS

TRUCK MOUNT

8 - 9 - 10

ITEM	DESCRIPTION	YEARS OF SERVICE	SUSPENSION SERIES	TRUCK PREFIX	QTY.	PART NO.
8	LIFT SPRING BOLT KIT	1997 - 1997	HLU	UT13	2	R-007634
		1997 - 1999	HLUS	UST13	2	R-007634
		1999 - 2012	PST13 KIT ONLY	PST13	2	R-007634
		1999 - 2000	HLUR	URT13	2	R-007634
		1999 - 2005	HLUS2	US2T13	2	R-007634
		2000 - 2013	HLUR2T	UR2T13	2	R-007634
		2002 - 2002	UCL	UCLT13	2	R-002404
		2002 - 2007	UC2, UC3, UC4	UC2T13 (or 3, or 4)	1	R-A-1134
		2004 - 2006	FBC 8K	FBT08	1	R-A-1134
		2007 - 2010	FBC 10K	FBT10	1	R-A-1134
		2007 - 2010	ST 13K	STT13	1	R-A-1134
		1999 - 2012	PST13 KIT ONLY	PST13	2	R-007634
		2008 - 2012	PST20	PST20	2	R-007634
		1996 - 2008	PT20	PT20_	2	R-001358
		9	UPPER AIR SPRING PLATE	1997 - 1997	HLU	UT13
1997 - 1999	HLUS			UST13	1	R-C-14489-1/2
1999 - 2012	PST13 KIT ONLY			PST13		R-C-14489-1/2
1999 - 2000	HLUR			URT13	1	R-C-14489-1/2
1999 - 2005	HLUS2			US2T13	1	R-C-14489-1/2
2000 - 2013	HLUR2T			UR2T13	1	R-004206-1/2
2002 - 2002	UCL			UCLT13	1	R-004611-1/2
2002 - 2007	UC2, UC3, UC4			UC2T13 (or 3, or 4)	1	R-005065-1/2
2004 - 2006	FBC 8K			FBT08	1	R-005065-1/2
2007 - 2010	FBC 10K			FBT10	1	R-005065-1/2
2007 - 2010	ST 13K			STT13	1	R-005065-1/2
1999 - 2012	PST13 KIT ONLY			PST13	1	R-C-14489-1/2
2008 - 2012	PST20			PST20	1	R-007938-1/2
2009 - 2012	PST20 ADJ			PST20	1	R-008337-1/2
1996 - 2008	PT20			PT20_	1	R-C-14489-1/2
10	HANGER SIDE RAIL	1997 - 1997	HLU	UT13	1	R-D-14786-1/2
		1997 - 1999	HLUS	UST13	1	R-002336-1/2
		1999 - 2012	PST13 KIT ONLY	PST13	1	R-002336-1/2
		1999 - 2000	HLUR	URT13	1	R-002668-1/2
		1999 - 2005	HLUS2	US2T13	1	R-002336-1/2
		2000 - 2013	HLUR2T	UR2T13	1	R-003516-1/2
		2002 - 2002	UCL	UCLT13	1	R-004615-1/2
		2002 - 2007	UC2, UC3, UC4	UC2T13 (or 3, or 4)	1	R-004926-1/2
		2006 - 2007	UC PRE-PLUMBED	UC...P	1	R-005765-1/2
		2004 - 2006	FBC 8K	FBT08	1	R-004926-1/2
		2007 - 2010	FBC 10K	FBT10	1	R-004926-1/2
		2007 - 2010	ST 13K	STT13	1	R-004926-1/2
		2007 - 2010	ST PRE-PLUMBED	ST.....P	2	R-005765-1/2
		1999 - 2012	PST13 KIT ONLY	PST13	1	R-002336-1/2
		2008 - 2012	PST20	PST20	1	R-007044-1/2
1996 - 2008	PT20	PT20_	1	R-D-14786-1/2		

# REPLACEMENT PARTS FOR AFTERMARKET SUSPENSIONS



ITEM	DESCRIPTION	YEARS OF SERVICE	SUSPENSION SERIES	TRUCK PREFIX	QTY.	PART NO.
11	BUSHING SADDLE	1997 - 1997	HLU	UT13	X	N/A
		1997 - 1999	HLUS	UST13	1	R-002679-1/-2
		1999 - 2012	PST13 KIT ONLY	PST13	1	R-002679-1/-2
		1999 - 2000	HLUR	URT13	1	R-002657-1/-2/-3 WELDMENT*
		1999 - 2005	HLUS2	US2T13	1	R-002679-1/-2
		2000 - 2013	HLUR2T	UR2T13	1	R-003577-1/-2/-3 WELDMENT*
		2002 - 2002	UCL	UCLT13	1	R-002679-1/-2
		2002 - 2007	UC2, UC3, UC4	UC2T13 (or 3, or 4)	1	R-004925-1/-2
		2004 - 2006	FBC 8K	FBT08	1	R-004925-1/-2
		2007 - 2010	FBC 10K	FBT10	1	R-004925-1/-2
		2007 - 2010	ST 13K	STT13	1	R-004925-1/-2
		1999 - 2012	PST13 KIT ONLY	PST13	1	R-002679-1/-2
		2008 - 2012	PST20	PST20	1	R-007045-1/-2
1996 - 2008	PT20	PT20_	X	N/A		
12	CROSS MEMBER	1997 - 1997	HLU	UT13	1	R-B-14789
		1997 - 1999	HLUS	UST13	1	R-002067-1/-2/-3
		1999 - 2012	PST13 KIT ONLY	PST13	1	R-002067-1/-2/-3
		1999 - 2000	HLUR	URT13	1	R-002948-38
		1999 - 2005	HLUS2	US2T13	1	R-002067-1/-2/-3
		2000 - 2013	HLUR2T	UR2T13	1	R-002948-38
		2002 - 2002	UCL	UCLT13	1	R-004616-1/-2/-3
		2002 - 2007	UC2, UC3, UC4	UC2T13 (or 3, or 4)	1	004930-1/-2/-3
		2004 - 2010	FBC 8K/10K	FBT08	1	R-005662-1/-2/-3
		2007 - 2010	FBC 10K ADJ	FBT10	1	R-007419**
		2007 - 2010	ST 13K	STT13	1	004930-1/-2/-3
		2007 - 2010	ST 13K ADJ	STT13	1	R-007419**
		1999 - 2012	PST13 KIT ONLY	PST13	1	R-002067-1/-2/-3
		2008 - 2012	PST20	PST20	1	R-007041-1/-2/-3/-4
		2009 - 2012	PST20 ADJ	PST20	1	R-007944
1996 - 2008	PT20	PT20_	1	R-B-14789		
13	CROSS MEMBER OR CRADLE BOLT KIT	1997 - 1997	HLU	UT13	1	R-A-14570
		1997 - 1999	HLUS	UST13	1	R-007677
		1999 - 2012	PST13 KIT ONLY	PST13	1	R-007677
		1999 - 2000	HLUR	URT13	1	R-007677
		1999 - 2005	HLUS2	US2T13	1	R-007677
		2002 - 2002	UCL	UCLT13	1	R-007677
		2002 - 2007	UC2, UC3, UC4	UC2T13 (or 3, or 4)	1	R-007677
		2004 - 2006	FBC 8K	FBT08	1	R-007677
		2007 - 2010	FBC 10K	FBT10	1	R-007677
		2007 - 2010	ST 13K	STT13	1	R-007677
		1999 - 2012	PST13 KIT ONLY	PST13	1	R-009046
		2008 - 2012	PST20	PST20	1	R-009046
1996 - 2008	PT20	PT20_	1	R-A-14570		
14	AXLE BOLT KIT (I-BEAM AXLES ONLY)	1999 - 2012	PST13 KIT ONLY	PST13	1	R-A-14608
		2008 - 2012	PST20	PST20	1	R-007030
		1996 - 2008	PT20	PT20_	1	R-A-14608
15	FRAME WIDTH SPACERS	2007 - 2010	FBC 10K ADJ	FBT10	2	R-007420
		2007 - 2010	ST 13K ADJ	STT13	2	R-007420
		2009 - 2012	PST20 ADJ	PST20	2	R-008299

\*ITEM 11: These parts are complete weldment, including both saddles and a crossmember, as one part designated by frame width.

\*\*ITEM 12: Part has slotted holes to allow for 33.5" - 34.5" Frame Width (-1/-2/-3/-4): -1 = 33.5"; -2 = 34.0"; -3 = 34.5"; -4 = 35.0"

TRUCK MOUNT  
11 - 12 - 13 - 14 - 15





# REPLACEMENT PARTS FOR AFTERMARKET SUSPENSIONS

TRUCK MOUNT

16 - 17 - 18 - 19 - 20 - 21

ITEM	DESCRIPTION	YEARS OF SERVICE	SUSPENSION SERIES	TRUCK PREFIX	QTY.	PART NO.
16	1" RIDE HEIGHT SPRING SPACER	2007 - 2010	FBC 10K ADJ	FBT10	2	R-007425-1
		2007 - 2010	ST 13K ADJ	STT13	2	R-007425-1
		2009 - 2012	PST20 ADJ	PST20	2	R-008340-1
17	2" RIDE HEIGHT SPRING SPACER	2007 - 2010	FBC 10K ADJ	FBT10	2	R-007425-2
		2007 - 2010	ST 13K ADJ	STT13	2	R-007425-2
		2009 - 2012	PST20 ADJ	PST20	2	R-008340-2
18	1" RIDE HEIGHT SADDLE SPACER	2007 - 2010	FBC 10K ADJ	FBT10	2	R-007417-1
		2007 - 2010	ST 13K ADJ	STT13	2	R-007417-1
		2009 - 2012	PST20 ADJ	PST20	2	R-008154-1
19	2" RIDE HEIGHT SADDLE SPACER	2007 - 2010	FBC 10K ADJ	FBT10	2	R-007417-2
		2007 - 2010	ST 13K ADJ	STT13	2	R-007417-2
		2009 - 2012	PST20 ADJ	PST20	2	R-008154-2
20	QC BRAKE SHOE KIT	1997 - 1997	HLU	UT13	2	R-001765
		1997 - 1999	HLUS	UST13	2	R-001765
		1999 - 2000	HLUR	URT13	2	R-002343
		1999 - 2005	HLUS2	US2T13	2	R-003275
		2000 - 2013	HLUR2T	UR2T13	2	R-003275
		2002 - 2002	UCL	UCLT13	2	R-003275
		2002 - 2007	UC2 UC3, UC4	UC2T13 (or 3, or 4)	2	R-003275
		2004 - 2006	FBC 8K	FBT08	2	R-006097
		2007 - 2010	FBC 10K	FBT10	2	R-006097
		2007 - 2010	ST 13K	STT13	2	R-007442-A (shoes & springs only)
		2007 - 2010	ST 13K	STT13	2	R-007442-B (shoes, springs, pins & hardware)
		2008 - 2012	PST20	PST20	2	R-002379
		2009 - 2012	PST20 ADJ	PST20	2	R-002379
21	COMPLETE BRAKE ASSEMBLY	1997 - 1997	HLU	UT13	X	* SEE NOTE
		1997 - 1999	HLUS	UST13	X	* SEE NOTE
		1999 - 2000	HLUR	URT13	X	* SEE NOTE
		1999 - 2005	HLUS2	US2T13	1	R-003274-1/-2
		2000 - 2012	HLUR2T	UCLT13	1	R-003274-1/-2
		2002 - 2002	UCL	UCLT13	1	R-003274-1/-2
		2002 - 2007	UC2 UC3, UC4	UC2T13 (or 3, or 4)	1	R-003274-1/-2
		2004 - 2006	FBC 8K	FBT08	1	R-005896-1/-2
		2007 - 2010	FBC 10K	FBT10	1	R-005896-1/-2
		2008 - 2012	PST20	PST20	1	R-004043-1/-2
2009 - 2012	PST20 ADJ	PST20	1	R-004043-1/-2		

\*ITEM 21: Old brake assembly with 10-spline s-cam is obsolete. New brake R-003274-1/-2 offers same form, fit and function with the exception of 28-spline s-cam. You can use R-003274-1/-2 if upgrading slacks to 28-spline s-cam.

# REPLACEMENT PARTS FOR AFTERMARKET SUSPENSIONS



ITEM	DESCRIPTION	YEARS OF SERVICE	SUSPENSION SERIES	TRUCK PREFIX	QTY.	PART NO.
<b>REVERSE CASTER COMPONENTS</b>						
22	CASTER CHAMBER	1999 - 2000	HLUR	URT13	4	R-002500
		2000 - 2013	HLUR2T	UR2T13	2	R-003513
23	TRI WEAR PAD	1999 - 2000	HLUR	URT13	2	R-002673
		2000 - 2013	HLUR2T	UR2T13	2	R-002673
24	CRADLE OR RETAINING PLATE	1999 - 2000	HLUR	URT13	1	R-002432-1/-2
		2000 - 2013	HLUR2T	UR2T13	2	R-003595
25	SPACER	1999 - 2000	HLUR	URT13	4	R-002672
		2000 - 2013	HLUR2T	UR2T13	4	R-003510
26	SHIFT ARM	1999 - 2000	HLUR	URT13	1	R-002435-1/-2
		2000 - 2013	HLUR2T	UR2T13	2	R-003527

22 - 23 - 24 - 25 - 26 TRUCK MOUNT



## REPLACEMENT PARTS FOR AFTERMARKET SUSPENSIONS

ITEM	DESCRIPTION	YEARS OF SERVICE	SUSPENSION SERIES	TRAILER PREFIX	QTY.	PART NO.
1	BEAM ASSEMBLY	1997 - 1997	HLUW	UW13	2	R-D-14784-1/-2
		1997 - 1997	HLUB	UB13	2	R-D-14784-1/-2
		1999 - 2005	HLUS2W	US2W13	2	R-002006-1/-2
		1999 - 2005	HLUS2B	US2B13	2	R-002006-1/-2
		2002 - 2005	UC2W	UC2W	4	R-005733
		2002 - 2005	UC2B	UC2B	4	R-005733
		2007	STW	STW13	4	R-005733
		2007	STB	STB13	4	R-005733
2	PIVOT BOLT KIT	1997 - 1997	HLUW	UW13	1	R-A-14488
		1997 - 1997	HLUB	UB13	1	R-A-14488
		1999 - 2005	HLUS2W	US2W13	1	R-A-14488
		1999 - 2005	HLUS2B	US2B13	1	R-A-14488
		2002 - 2005	UC2W	UC2W	1	R-005009
		2002 - 2005	UC2B	UC2B	1	R-005009
		2007	STW	STW13	1	R-005009
		2007	STB	STB13	1	R-005009
3	BUSHING AND PIVOT BOLT KIT	1997 - 1997	HLUW	UW13	1	R-009560
		1997 - 1997	HLUB	UB13	1	R-009560
		1999 - 2005	HLUS2W	US2W13	1	R-009560
		1999 - 2005	HLUS2B	US2B13	1	R-009560
		2002 - 2005	UC2W	UC2W	1	R-008839
		2002 - 2005	UC2B	UC2B	1	R-008839
		2007	STW	STW13	1	R-008839
		2007	STB	STB13	1	R-008839
4	WEAR PADS INC. W/PB KIT	1997 - 1997	HLUW	UW13	16	R-B-14495
		1997 - 1997	HLUB	UB13	16	R-B-14495
		1999 - 2005	HLUS2W	US2W13	16	R-B-14495
		1999 - 2005	HLUS2B	US2B13	16	R-B-14495
5	RIDE SPRING	1997 - 1997	HLUW	UW13	2	R-001015
		1997 - 1997	HLUB	UB13	2	R-001015
		1999 - 2005	HLUS2W	US2W13	2	R-001015
		1999 - 2005	HLUS2B	US2B13	2	R-001015
		2002 - 2005	UC2W	UC2W	2	R-001015
		2002 - 2005	UC2B	UC2B	2	R-001015
		2007	STW	STW13	2	R-001015
		2007	STB	STB13	2	R-001015
6	RIDE SPRING BOLT KIT	1997 - 1997	HLUW	UW13	2	R-007596
		1997 - 1997	HLUB	UB13	2	R-007596
		1999 - 2005	HLUS2W	US2W13	2	R-A-13075
		1999 - 2005	HLUS2B	US2B13	2	R-A-13075
		2002 - 2005	UC2W	UC2W	2	R-A-13075
		2002 - 2005	UC2B	UC2B	2	R-A-13075
		2007	STW	STW13	2	R-A-13075
		2007	STB	STB13	2	R-A-13075

TRAILER MOUNT

1 - 2 - 3 - 4 - 5 - 6

# REPLACEMENT PARTS FOR AFTERMARKET SUSPENSIONS



ITEM	DESCRIPTION	YEARS OF SERVICE	BEAM CENTER DIMENSIONS	SUSPENSION SERIES	TRAILER PREFIX	QTY.	PART NO.
7	LIFT SPRING	1997 - 1997		HLUW	UW13	2	R-B-14487
		1997 - 1997		HLUB	UB13	2	R-B-14487
		1999 - 2005		HLUS2W	US2W13	2	R-B-14486
		1999 - 2005		HLUS2B	US2B13	2	R-B-14486
		2002 - 2005		UC2W	UC2W	2	R-005079
		2002 - 2005		UC2B	UC2B	2	R-005079
		2007		STW	STW13	2	R-005079
		2007		STB	STB13	2	R-005079
8	LIFT SPRING BOLT KIT	1997 - 1997		HLUW	UW13	2	R-007634
		1997 - 1997		HLUB	UB13	2	R-007634
		1999 - 2005		HLUS2W	US2W13	2	R-007634
		1999 - 2005		HLUS2B	US2B13	2	R-007634
		2002 - 2005		UC2W	UC2W	1	R-A-1134
		2002 - 2005		UC2B	UC2B	1	R-A-1134
		2007		STW	STW13	1	R-A-1134
		2007		STB	STB13	1	R-A-1134
9	UPPER AIR SPRING PLATE	1997 - 1997		HLUW	UW13	1	R-001014-1/-2
		1997 - 1997		HLUB	UB13	1	R-001014-1/-2
		1999 - 2005		HLUS2W	US2W13	1	R-001014-1/-2
		1999 - 2005		HLUS2B	US2B13	1	R-001014-1/-2
		2002 - 2005		UC2W	UC2W	2	R-005168
		2002 - 2005		UC2B	UC2B	2	R-005168
		2007		STW	STW13	2	R-005168
		2007		STB	STB13	2	R-005168
10	FRAME BRACKET WELDMENT (2 SADDLES AND CROSSMEMBER)	2002 - 2005	38"	UC2W	UC2W	1	R-005021
		2002 - 2005	38"	UC2B	UC2B	1	R-005503
			34.5"	UC2B	UC2B	1	R-005604
		2007	38"	STW	STW13	1	R-005021
		2007	35"	STW	STW13	1	R-005021-4
		2007	38"	STB	STB13	1	R-005503
	34.5"	STB	STB13	1	R-005604		
11	BUSHING SADDLE	1997 - 1997		HLUW	UW13	2	R-001306
		1997 - 1997		HLUB	UB13	1	R-001013-1/-2
		1999 - 2005		HLUS2W	US2W13	2	R-001306
		1999 - 2005		HLUS2B	US2B13	1	R-001013-1/-2
		2002 - 2005		UC2W	UC2W	X	R-005020
		2002 - 2005		UC2B	UC2B	X	R-005502-1/-2
		2007		STW	STW13	X	R-005020
		2007		STB	STB13	X	R-005502-1/-2

TRAILER MOUNT

7 - 8 - 9 - 10 - 11

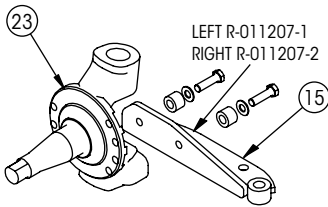


## REPLACEMENT PARTS FOR AFTERMARKET SUSPENSIONS

ITEM	DESCRIPTION	YEARS OF SERVICE	SUSPENSION SERIES	TRAILER PREFIX	QTY.	PART NO.
12	CROSS MEMBER	1997 - 1997	HLUW	UW13	1	R-002948-30
		1997 - 1997	HLUB	UB13	1	R-002948-30
		1999 - 2005	HLUS2W	US2W13	1	R-002948-30
		1999 - 2005	HLUS2B	US2B13	1	R-002948-30
		2002 - 2005	UC2W	UC2W	1	R-002948-30
		2002 - 2005	UC2B	UC2B	1	R-002948-30
		2007	STW	STW13	1	R-002948-30
		2007	STB	STB13	1	R-002948-30
<b>NOTE:</b> 13...19 N/A						
20	QC BRAKE SHOE KIT	1997 - 1997	HLUW	UW13	2	R-001765
		1997 - 1997	HLUB	UB13	2	R-001765
		1999 - 2005	HLUS2W	US2W13	2	R-003275
		1999 - 2005	HLUS2B	US2B13	2	R-003275
		2002 - 2005	UC2W	UC2W	2	R-003275
		2002 - 2005	UC2B	UC2B	2	R-003275
		2007	STW	STW13	2	R-007442-B
		2007	STB	STB13	2	R-007442-B
21	COMPLETE BRAKE ASSEMBLY	1997 - 1997	HLUW	UW13	X	R-001724 / 25
		1997 - 1997	HLUB	UB13	X	R-001724 / 25
		1999 - 2005	HLUS2W	US2W13	X	R-003274-1/-2
		1999 - 2005	HLUS2B	US2B13	X	R-003274-1/-2
		2002 - 2005	UC2W	UC2W	X	R-003274-1/-2
		2002 - 2005	UC2B	UC2B	X	R-003274-1/-2

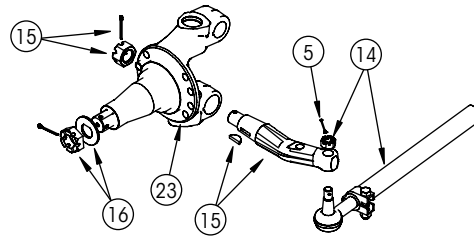
TRAILER MOUNT

12 - 20 - 21



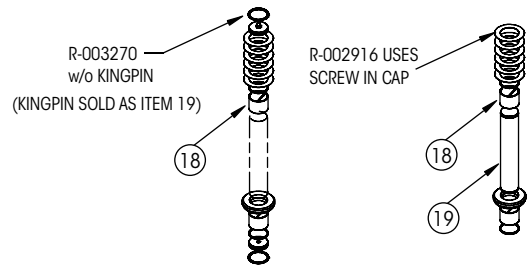
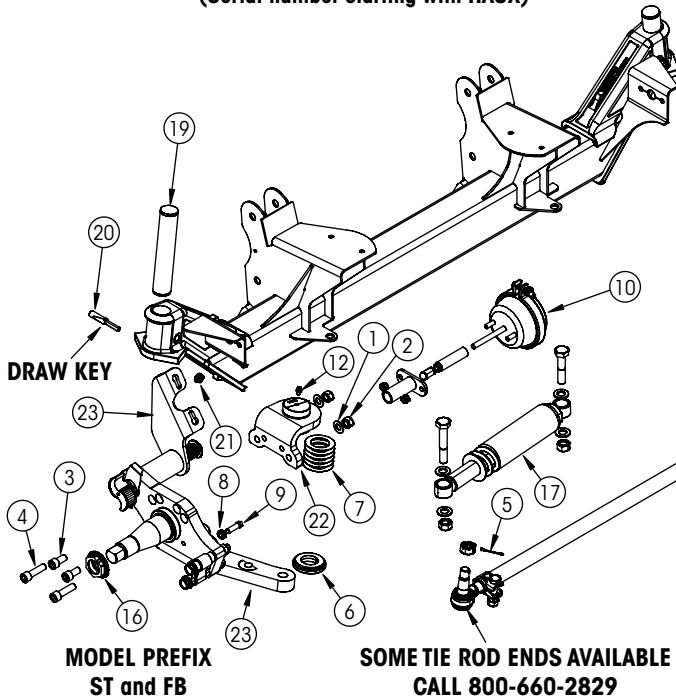
**MODEL PREFIX US (After 4/99)**

- Knuckle obsolete; call 800-660-2829 for replacement axle assembly
- Kingpin Kit R-002916 (Serial number starting with HAUX)

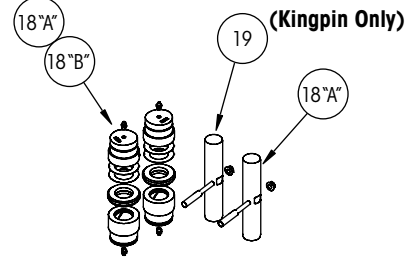


**MODEL PREFIX US (Before 4/99)**

- Knuckle obsolete; call 800-660-2829 for replacement axle assembly
- Kingpin Kit R-001434 (Serial number starting with 4 or 6)



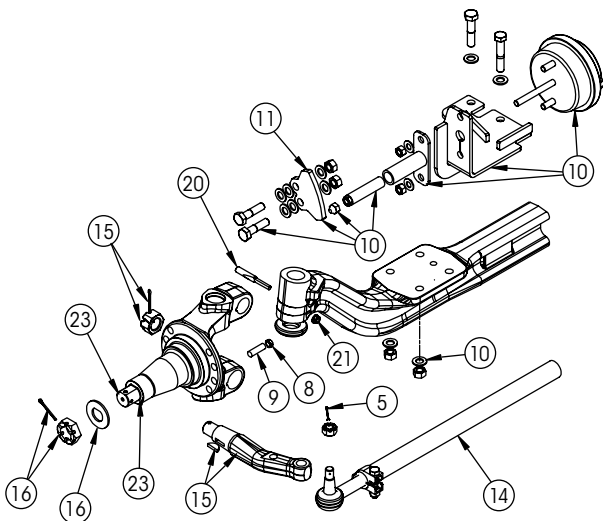
**MODEL PREFIX US# and UC#  
# = 2, 3 or 4**



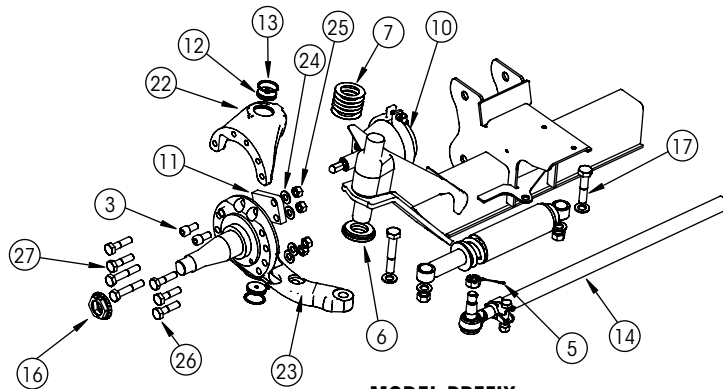
**R-010300 w/ KINGPIN  
DRAW KEY and NUT**

**R-010300-1 w/out KINGPIN  
DRAW KEY and NUT**

**ST PREFIX W/FABRICATED KNUCKLE**



**MODEL PREFIX  
P\_13\_..., P\_16\_..., P\_20\_... and PS\_20\_...  
Kit Only (no axles)**



**MODEL PREFIX  
US# and UC#  
# = 2, 3 or 4**



# REPLACEMENT PARTS FOR AFTERMARKET SUSPENSIONS

ITEM	DESCRIPTION	SUSPENSION SERIES	MODEL PREFIX	QTY.	PART NO.
1	UPPER KING PIN WASHERS	ST	STT13	4	R-6212H2H
2	UPPER KING PIN NUTS	FBC	FBT08 or 10	12	R-6009CH2LC
		ST	STT13	4	R-6012CH2LC
3	BACKBONE BOLTS OR SOCKET HEAD CAP SCREWS, SHORT	HLUS2	US2T13	4	R-6110C125H4A8
		HLUR2T	US2T13	4	R-6110C125H4A8
		UCL	UCLT	4	R-6110C125H4A8
		UC2, 3, 4	UC#T	4	R-6110C125H4A8
		FBC	FBT08 or 10	6	R-6109C200H4H8
		ST	STT13	4	R-6112C225H4H8
4	BACKBONE BOLTS LONG	FBC	FBT08 or 10	6	R-6109C300H4H8
		ST	STT13	4	R-6110C225H4A8
5	TIE ROD COTTER PIN	HLU	UT13	2	R-001524-15
		HLUS	UST13	2	R-001524-15
		HLUR	URT13	2	R-001524-15
		HLUS2	US2T13	2	R-001524-15
		HLUR2T	UR2T13	2	R-001524-15
		UCL	UCLT	2	R-001524-15
		UC2, 3, 4	UC#T	2	R-001524-15
		FBC	FBT08 or 10	2	R-001524-15
		ST	STT13	2	R-001524-15
		PST20_T	PST20_T	2	R-A-14821
		PST20_W	PST20_W	2	R-011164
		PT20_-T	PT20_-T	2	R-A-14821
		PT20_-S	PT20_-S	2	R-A-14821
6	THRUST BEARING (INCLUDED WITH KINGPIN KIT)	HLU	UT13	2	R-001620
		HLUS	UST13	2	R-001620
		HLUR	URT13	2	R-001620
		HLUS2	US2T13	2	R-001620
		HLUR2T	UR2T13	2	R-001620
		UCL	UCLT	2	R-001620
		UC2, 3, 4	UC#T	2	R-001620
		FBC	FBT08 or 10	2	R-001620
		ST	STT13	2	R-001620
		PST20_T	PST20_T	2	R-005070
		PST20_W	PST20_W	2	R-011161
		PT20_-T	PT20_-T	2	R-005070
		PT20_-S	PT20_-S	X	WITH KINGPIN KIT ONLY
7	SHIMS (INCLUDED WITH KINGPIN KIT)	HLU	UT13	6	R-001764-1
		HLUS	UST13	6	R-001764-1
		HLUR	URT13	6	R-001764-1
		HLUS2	US2T13	12	R-001764-1
		HLUR2T	UR2T13	12	R-001764-1
		UCL	UCLT	12	R-001764-1
		UC2, 3, 4	UC#T	12	R-001764-1
		FBC	FBT08 or 10	4	R-001764-1
		ST	STT13	4	R-001764-1
		PST20_T	PST20_T	3ea	R-005414,15
		PST20_W	PST20_W	4	R-011170
		PT20_-T	PT20_-T	X	WITH KINGPIN KIT ONLY
		PT20_-S	PT20_-S	X	WITH KINGPIN KIT ONLY

AXLE ASSEMBLIES

1 - 2 - 3 - 4 - 5 - 6 - 7

# REPLACEMENT PARTS FOR AFTERMARKET SUSPENSIONS



ITEM	DESCRIPTION	SUSPENSION SERIES	MODEL PREFIX	QTY.	PART NO.
8	TURN STOP JAM NUT	ST	STT13	2	R-6008CH2JC
		PST20_W	PST20_W	2	R-011159
9	TURN STOP SCREW	ST	STT13	2	R-6108C150H4S8
		PST20_W	PST20_W	2	R-011162
10	LOCK STRAIGHT PARTS KIT (OPTIONAL)	HLUS	UST13	1	R-002600
		HLUS2	US2T13	1	R-002600
		UC2, 3, 4	UC#T	2	R-002600
		ST	STT13	1	R-002600-2
		PST20_T	PST20_T	1	R-008233
		PST20_W	PST20_W	1	R-008922
		PT20_-T	PT20_-T	1	R-005256
		PT20_-S	PT20_-S	1	R-004012
11	LOCK STRAIGHT TARGET (OPTIONAL)	HLUS2	US2T13	2	R-003557
		UCL	UCLT	2	R-003557
		UC2, 3, 4	UC#T	2	R-003557
		ST	STT13	2	R-008495
		PST20_T	PST20_T	2	R-005156
		PST20_W	PST20_W	2	R-008711
		PT20_-T	PT20_-T	2	R-005156
		PT20_-S	PT20_-S	2	R-003029
12	KINGPIN CAP OR ZERK FITTING	HLU	UT13	4	R-001622
		HLUS	UST13	4	R-001622
		HLUR	URT13	4	R-001622
		HLUS2	US2T13	4	R-003263
		HLUR2T	UR2T13	4	R-003263
		UCL	UCLT	4	R-003263
		UC2, 3, 4	UC#T	4	R-003263
		FBC	FBT08 or 10	4	R-002804
		ST	STT13	4	R-002804
		PST20_T	PST20_T	X	WITH KINGPIN KIT ONLY
		PST20_W	PST20_W	2	R-11168
		PT20_-T	PT20_-T	X	WITH KINGPIN KIT ONLY
		PT20_-S	PT20_-S	X	WITH KINGPIN KIT ONLY
		13	KINGPIN CAP RETAINING RIING	HLUS2	US2T13
HLUR2T	UR2T13			4	R-003267
UCL	UCLT			4	R-003267
UC2, 3, 4	UC#T			4	R-003267
*14	TIE ROD ASSEMBLY			HLU	UT13
		HLUS	UST13	1	* SEE NOTE
		HLUR	URT13	1	R-002890
		HLUS2	US2T13	1	R-002890
		HLUR2T	UR2T13	1	R-002890
		UCL	UCLT	1	R-002890
		UC2, 3, 4	UC#T	1	R-002890
		FBC	FBT08 or 10	1	ZERK TO ZERK = 61" — R-007220 ZERK TO ZERK = 66" — R-002890
		ST	STT13	1	R-002890
		PST20_T	PST20_T	1	R-008210
		PST20_W	PST20_W	1	R-011160
		PT20_-T	PT20_-T	1	R-005097
		PT20_-S	PT20_-S	1	R-001087

\*ITEM 14: Serial numbers for HLUS /US Series start with HAUX KIT # R-002890 or 7 digits starting with 4##### OR 6##### R-001882. They can also be identified by knuckle style at top of page 14.

AXLE ASSEMBLIES

8-9-10-11-12-13-14





# REPLACEMENT PARTS FOR AFTERMARKET SUSPENSIONS

ITEM	DESCRIPTION	SUSPENSION SERIES	MODEL PREFIX	QTY.	PART NO.	
15	TIE ROD ARM, COTTER PIN AND NUT	HLU	UT13	SEE EXPLOSION	R-011206	
		HLUS	UST13	SEE EXPLOSION	R-011206-1/-2 OLD CAST	
		HLUR	URT13	SEE EXPLOSION	R-011207-1/-2 NEWER FABRICATION	
		PST20_T	PST20_T	1 EA	R-011182-1/-2	
		PST20_W	PST20_W	1 EA	R-011182-1/-2	
		PT20_-T	PT20_-T	1 EA	R-005107-1/-2	
		PT20_-S	PT20_-S	1	R-001728 BOTH SIDES	
16	SPINDLE NUT	HLU	UT13	2	R-009818	
		HLUS	UST13	2	R-009818	
		HLUR	URT13	2	R-009818	
		HLUS2	US2T13	2	R-003269	
		HLUR2T	UR2T13	2	R-003269	
		UCL	UCLT	2	R-003269	
		UC2, 3, 4	UC#T	2	R-003269	
		FBC	FBT08	2	R-006019	
		FBC	FBT10	2	R-003269	
		ST	STT13	2	R-003269	
		PST20_T	PST20_T	2	R-005142	
		PST20_W	PST20_W	2	R-011203	
		PT20_-T	PT20_-T	2	R-005142	
		PT20_-S	PT20_-S	2	R-004797	
17	STABILIZER KIT	HLU	UT13	1	R-001777	
		HLUS	UST13	1	R-002989	
		HLUR	URT13	1	R-003273	
		HLUS2	US2T13	1	R-003273	
		HLUR2T	UR2T13	1	R-003273	
		UCL	UCLT	1	R-003273	
		UC2, 3, 4	UC#T	1	R-003273	
		FBC	FBT08 or 10	1	R-003273	
		ST	STT13 A or B	1	R-006676	
		ST	STT13	1	R-003273	
		PST20_T	PST20_T	1	R-010297	
		PST20_W	PST20_W	1	R-008357	
		PT20_-T	PT20_-T	1	R-001421	
		PT20_-S	PT20_-S	1	R-001421	
18	KINGPIN BUSHING KIT WITH KINGPIN "A" KINGPIN BUSHING KIT WITHOUT KINGPIN "B"	HLU	*** UT13	1	A R-001434 kit	B N/A
		HLUS	*** UST13	X	** SEE NOTE	N/A
		HLUR	*** URT13	1	R-002916	N/A
		HLUS2	*** US2T13	1	N/A	R-003270
		HLUR2T	*** UR2T13	1	N/A	R-003270
		UCL	*** UCLT	1	N/A	R-003270
		UC2, 3, 4	*** UC#T	1	N/A	R-003270
		FBC	FBT08 or 10	1	R-010300-2	R-010300-1
		ST	STT13	1	R-010300	R-010300-1
		PST20_T	PST20_T	1	R-005100	N/A
		PST20_W	PST20_W	1	R-011181	N/A
		PT20_-T	PT20_-T	X	R-005100	N/A
		PT20_-S	PT20_-S	X	R-005100	N/A

**\*\*ITEM 18:** Serial numbers for HLUS /US Series, start with HAUX KIT # R-002916 or 7 digits starting with 4 OR 6 KIT #R-001434. **SEE EXPLODED-VIEW BEFORE AND AFTER APRIL 1999.**

**\*\*\*ITEM 18:** New replacement axles or ST with cast knuckles would use a DRAW KEY KINGPIN. Suspension prefix starting with "U" UT...UC could have a replacement axle with cast 2 piece knuckles. ST could also use the cast 2 piece knuckle. If so, use below...  
(A) Kingpins and bushing kit R-006648 (B) Replacement bushing kit R-003270. Kingpin R-006303.

# REPLACEMENT PARTS FOR AFTERMARKET SUSPENSIONS



ITEM	DESCRIPTION	SUSPENSION SERIES	MODEL PREFIX	QTY.	PART NO.
19	REPLACEMENT KINGPIN	HLU	UT13	1	W/R-001434 kit
		HLUS	UST13	1	W/R-002916 kit
		HLUR	URT13	1	W/R-002916
		HLUS2	US2T	2	R-003200
		HLUR2T	UR2T13	2	R-003200
		UCL	UCLT	2	R-003200
		UC2, 3, 4	UC#T	2	R-003200
		FBC	FBT08 or 10	2	R-003200
		ST	STT13	2	R-006303
		PST20_T	PST20_T	2	R-005106
		PST20_W	PST20_W	2	R-011169
		PT20_T	PT20_T	X	N/A
		PT20_S	PT20_S	X	N/A
20	DRAW KEY	HLU	UT13	2	W/R-001434 kit
		FBC	FBT08 or 10	2	R-008670
		ST	STT13	2	R-008670
		PST20_T	PST20_T	X	N/A
		PST20_W	PST20_W	2	R-011172
		PT20_T	PT20_T	X	N/A
		PT20_S	PT20_S	X	N/A
		21	DRAW KEY NUT	HLU	UT13
HLUS	UST13			X	N/A
HLUR	URT13			X	N/A
HLUS2	UR2T13			X	N/A
HLUR2T	UR2T13			X	N/A
UCL	UCLT			X	N/A
UC2, 3, 4	UC#T			X	N/A
FBC	FBT08 or 10			2	N/A
ST	STT13			2	R-6007FH4FC
PST20_T	PST20_T			X	N/A
PST20_W	PST20_W			2	R-011171
PT20_T	PT20_T			X	N/A
PT20_S	PT20_S			X	N/A
22	UPPER KINGPIN CONNECTION	HLU	UT13	X	N/A
		HLUS	UST13	X	N/A
		HLUR	URT13	X	N/A
		HLUS2	US2T13	1 EA	R-003260-1/-2
		HLUR2T	UR2T13	1 EA	R-003260-1/-2
		UCL	UCLT	1 EA	R-003260-1/-2
		UC2, 3, 4	UC#T	1 EA	R-003260-1/-2
		FBC	FBT08 or 10	1 EA	<b>R-006011-1/-2 (kit handed U/L)</b>
		ST	STT13	2 EA	<b>R-010563</b>
		PST20_T	PST20_T	X	N/A
		PST20_W	PST20_W	X	N/A
		PT20_T	PT20_T	X	N/A
		PT20_S	PT20_S	X	N/A

AXLE ASSEMBLIES

19 - 20 - 21 - 22



# REPLACEMENT PARTS FOR AFTERMARKET SUSPENSIONS

ITEM	DESCRIPTION	SUSPENSION SERIES	MODEL PREFIX	QTY.	PART NO.
<b>*23</b>	<b>CURRENT KNUCKLE BACKBONE OR ONE PIECE KNUCKLE</b>	HLU	UT13	X	OBSOLETE (needs new US2 axle assy)
		HLUS	UST13	X	OBSOLETE (needs new US2 axle assy)
		HLUR	URT13	X	OBSOLETE (needs new US2 axle assy)
		HLUS2	US2T13	1 EA	R-003259-1/-2
		HLUR2T	UR2T13	1 EA	R-003259-1/-2
		UCL	UCLT	1 EA	R-003259-1/-2
		UC2, 3, 4	UC#T	1 EA	R-003259-1/-2
		FBC	FBT08	1 EA	<b>CS 005896</b>
		FBC	FBT10	1 EA	R-006578-1/-2
		ST	STT13	1 EA	R-010563-1/-2*
		PST20_T	PST20_T	1 EA	<b>CS West Port</b>
		PST20_W	PST20_W	1 EA	<b>CS West Port</b>
		PT20_-T	PT20_-T	1 EA	<b>CS West Port</b>
PT20_-S	PT20_-S	1 EA	<b>CS West Port</b>		
<b>24</b>	<b>PREVIOUS ONE PIECE KNUCKLE</b>	HLU	UT13	1 EA	R-001615/16 BFOR.2/17/98 (UBS)
		HLUS	UST13	1 EA	R-002174/75 BFOR.4/14/99 (OBS)
<b>25</b>	<b>BRAKE WASHERS</b>	HLU	UT13	14	R-6210H2H
		HLUS	UST13	18	R-6210H2H
		HLUR	URT13	18	R-6210H2H
		HLUS2	US2T13	8	R-6210H2H
		HLUR2T	UR2T13	8	R-6210H2H
		UCL	UCLT	8	R-6210H2H
		UC2, 3, 4	UC#T	8	R-6210H2H
<b>26</b>	<b>BRAKE NUTS</b>	HLU	UT13	14	R-6010FH2LC
		HLUS	UST13	14	R-6010FH2LC
		HLUR	URT13	14	R-6010FH2LC
		HLUS2	US2T13	8	R-6010CH2LC
		HLUR2T	UR2T13	8	R-6010CH2LC
		UCL	UCLT	8	R-6010CH2LC
		UC2, 3, 4	UC#T	8	R-6010CH2LC
		FBC	FBT08 or 10	12	R-6014CH2LB
		ST	STT13	6	R-6010FH2LC
<b>27</b>	<b>BRAKE BOLTS</b>	HLU	UT13	14	R-6110C250H4H8
		HLUS	UST13	14	R-6110C250H4H8
		HLUR	URT13	14	R-6110C250H4H8
		HLUS2	US2T13	14	R-6110C250H4H8
		HLUR2T	UR2T13	14	R-6110C250H4H9
		UCL	UCLT	14	R-6110C250H4H10
		UC2, 3, 4	UC#T	14	R-6110C250H4H11
<b>28</b>	<b>LOCK STRAIGHT BOLTS (OPTIONAL)</b>	HLUS2	US2T13	4	R-6110C350H4H8
		HLUR2T	UR2T13	4	R-6110C350H4H9
		UCL	UCLT	4	R-6110C350H4H10
		UC2, 3, 4	UC#T	4	R-6110C350H4H11

**\*ITEM 23:** If material at knuckle arm is thicker than 1", Kit R-011754 is required to replace both sides.

**NOTE:** Review our Tech Pubs or Installation Instructions (H633) and/or call Hendrickson Customer Service for assistance.

*Actual product performance may vary depending upon vehicle configuration, operation, service and other factors.  
All applications must comply with applicable Hendrickson specifications and must be approved by the respective vehicle manufacturer with the vehicle in its original, as-built configuration.  
Contact Hendrickson for additional details regarding specifications, applications, capacities, and operation, service and maintenance instructions.*

**Call Hendrickson at 800.660.2829 or 800.668.5360 in Canada for additional information.**



[www.hendrickson-intl.com](http://www.hendrickson-intl.com)

H731 Rev E 01-21

**SPECIALTY PRODUCTS -  
AUXILIARY AXLE SYSTEMS**

277 North High Street  
Hebron, OH 43025 USA  
800.660.2829  
740.929.5600 • Fax 740.929.5601

**Hendrickson Canada**

250 Chrysler Drive, Unit #3  
Brampton, ON Canada L6S 6B6  
800.668.5360  
905.789.1030 • Fax 905.789.1033