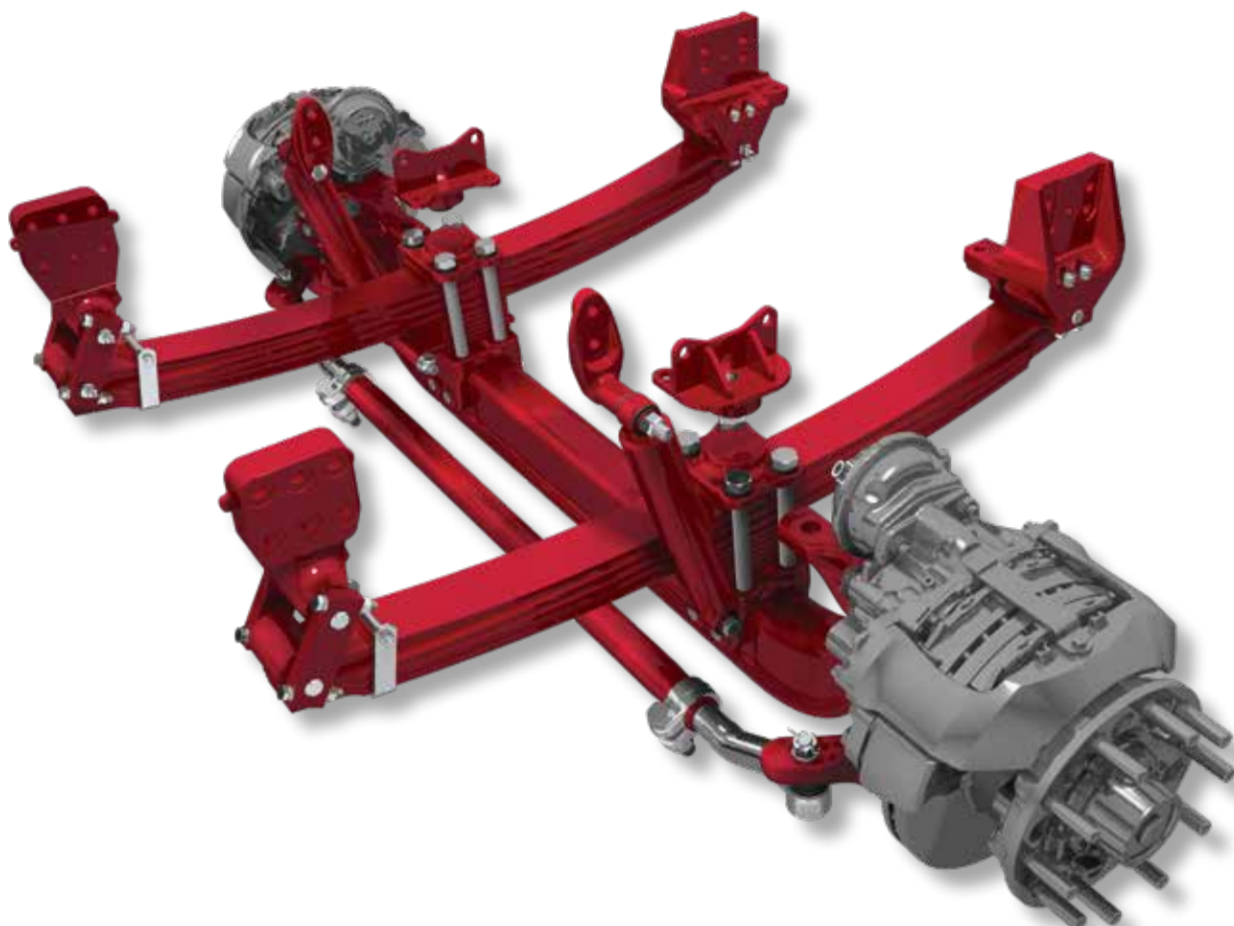


H STEERTEK™ NXT Fire and Rescue Fabricated Front Steer Axle System

- Maximize ride comfort
- Maximize durability
- Maximize handling and performance
- Up to 24,000 lbs. capacity



STEERTEK™ NXT steer axle system is optimized for maximum performance and comfort. Integrated with Hendrickson's parabolic springs, this system delivers true suspension efficiency for demanding fire and rescue applications.

To learn more about STEERTEK NXT,
call Sutphen at 800.726.7030 or visit
www.sutphen.com

H HENDRICKSON
The World Rides On Us®

STEERTEK™ NXT Features and Benefits

Weight Savings

- STEERTEK NXT's unique design provides up to 170 lbs. of weight savings compared to traditional forged I-beam axles with multi-leaf springs

Progressive Rate Bump Stop

- Handles high dynamic loads with reduced harshness

Reduced Maintenance

- Removable kingpin design
- Premium kingpin bushings and seals provide enhanced protection from the elements to improve bushing life

Clamp Group

- Integrated with axle for ease of serviceability

Rigid Axle Beam

- The box-shaped cross section resists horizontal, vertical and twisting forces more effectively than traditional I-beam axles
- Continuous beam architecture minimizes stress points for added durability

Advanced Suspension Integration

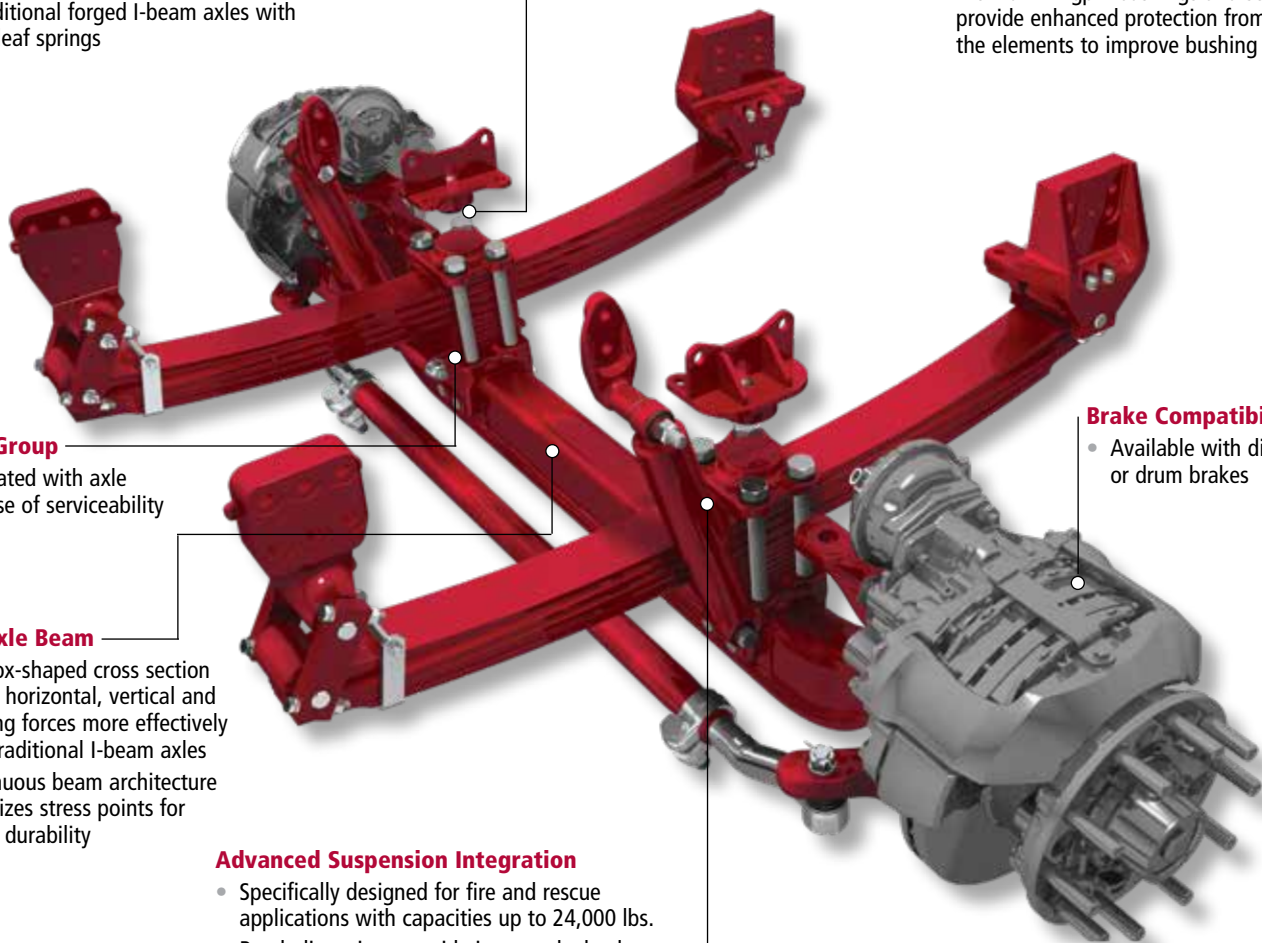
- Specifically designed for fire and rescue applications with capacities up to 24,000 lbs.
- Parabolic springs provide increased wheel travel and lower spring rate for improved ride quality
- Hendrickson's proprietary threaded pin bushings increase roll stiffness
- System designed for optimal control under heavy braking
- Engineered to deliver up to a 45-degree wheel cut

Passive Hydraulic Damper

- Custom tuned and specifically developed for parabolic leaf springs to achieve exceptional ride and handling

Brake Compatibility

- Available with disc or drum brakes



*Actual product performance may vary depending upon vehicle configuration, operation, service and other factors.
All applications must comply with applicable Hendrickson specifications and must be approved by the respective vehicle manufacturer with the vehicle in its original, as-built configuration.
Contact Hendrickson for additional details regarding specifications, applications, capacities, operation, service and maintenance instructions.*

Call Hendrickson at **630.910.2800** or **855.RIDERED (743.3733)** for additional information.



www.hendrickson-fire.com

TRUCK COMMERCIAL VEHICLE SYSTEMS

800 South Frontage Road
Woodridge, IL 60517-4904 USA
855.RIDERED (743.3733)
630.910.2800 • Fax 630.910.2899



45745-503 06-19

© 2019 Hendrickson USA, L.L.C. All Rights Reserved. All trademarks shown are owned by Hendrickson USA, L.L.C., or one of its affiliates, in one or more countries, except for Sutphen and the Sutphen logo which are owned by XXXXXXXXXXXXXXXX.
Information contained in this literature was accurate at the time of publication. Product changes may have been made after the copyright date that are not reflected.

Printed in United States of America