

H PARTS LIST

AIRTEK® Front Suspension System for Tiffin Motorhomes

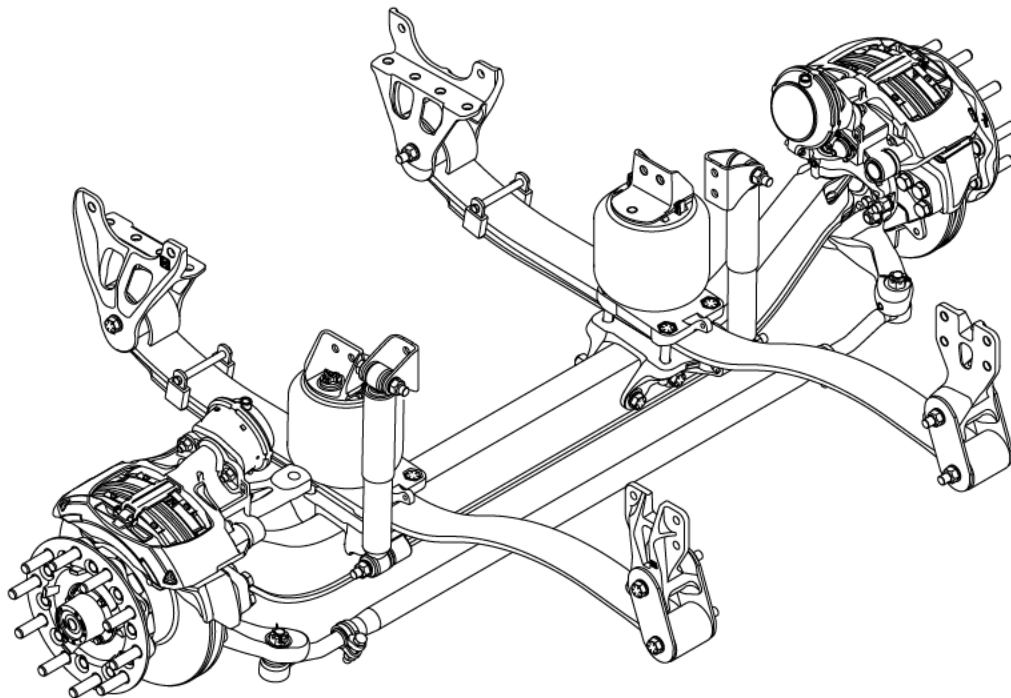
LIT NO: SP-319

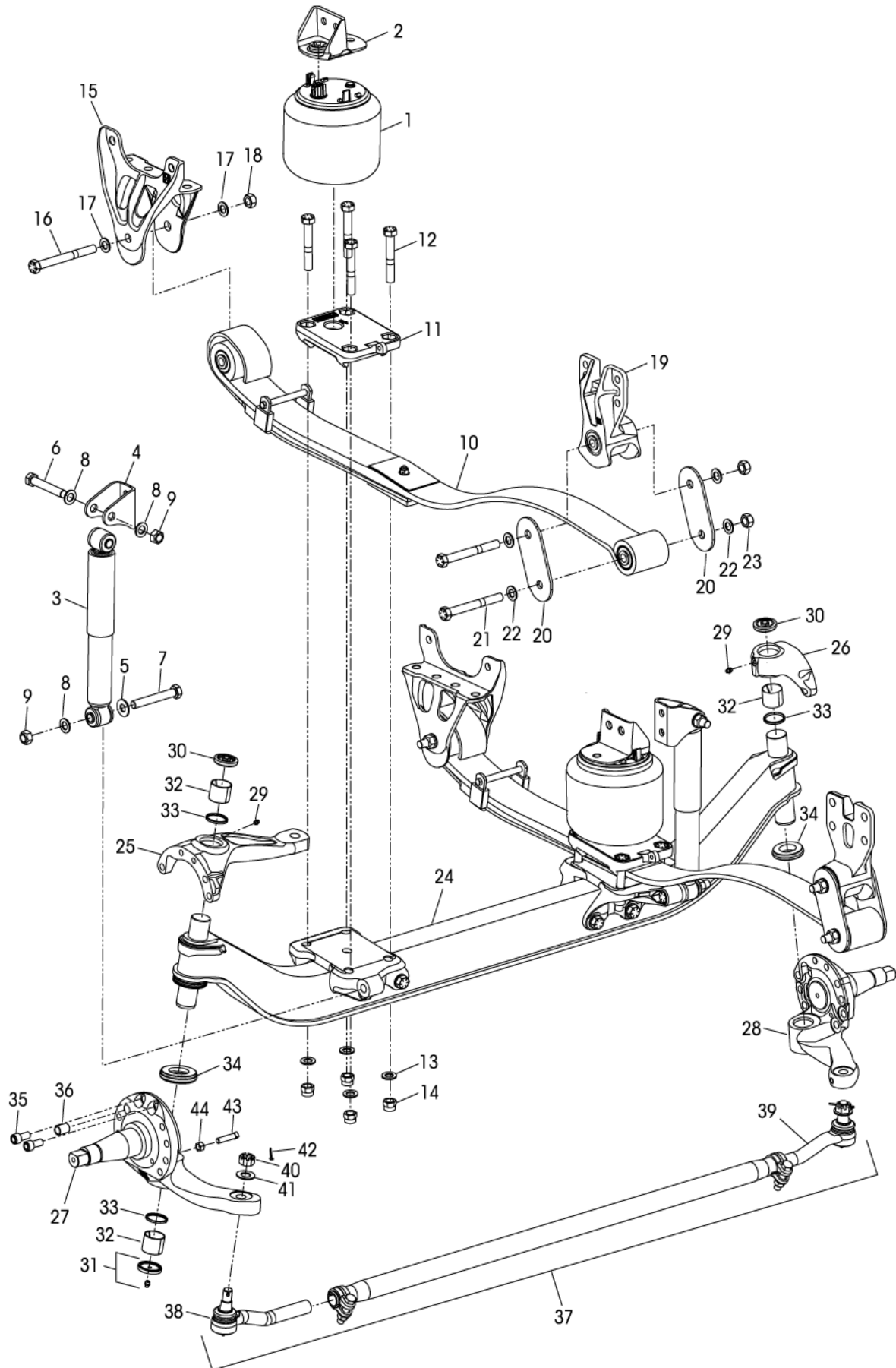
DATE: February 2019

REVISION: A

CONTENTS

DESCRIPTION	PAGE
Parts List	2
Special Tool	3
Air Disc Brake	4







KEY NO.	PART NO.	DESCRIPTION	VEHICLE QTY.	KEY NO.	PART NO.	DESCRIPTION	VEHICLE QTY.
1	64075-002L	Air Spring	2		68977-005	Axle Assembly, Includes Key Nos. 24-42	1
2	60850-001	Air Spring Bracket	2	24	68976-004M	Axle & Kingpin Assembly	1
3	58913-009L	Shock Absorber	2			Upper Steering Knuckle Assembly, Includes Key Nos. 29-30, 32-33	
4	59423-002	Upper Shock Bracket	2	25	60903-478	Left Hand	1
	34013-296	Shock Absorber Fasteners Service Kit, One Side , Includes Key Nos. 5-9		26	60904-402	Right Hand	1
5	22962-046	Shock Spacer	2			Lower Steering Knuckle Assembly, Includes Key Nos. 31-33, 36, 43-44	
6	68716-369	¾"-16 UNF x 4½" Upper Shock Bolt	2	27	58900-431	Left Hand	1
7	68716-370	¾"-16 UNF x 5" Lower Shock Bolt	2	28	58900-432	Right Hand	1
8	22962-001	¾" Flat Washer	6		60961-630	Kingpin Bushing and Roller Bearing Service Kit , Includes Key Nos. 29-33, 34-35, Loctite	
9	30191-000	¾"-16 UNF Locknut	4	29	33117-000	Grease Zerk	2
10	53487-000	Leaf Spring Assembly	2	30	68687-003	Upper Grease Cap Assembly	2
11		Top Pad		31	68687-002	Lower Grease Cap Assembly	2
	64516-001	Left Hand	1	32	58909-001	Kingpin Bushing	4
	64516-002	Right Hand	1		60961-633	Roller Thrust Bearing Service Kit , Includes Key Nos. 33-35, Loctite	
		Top Pad Fasteners Service Kit , Includes Key Nos. 12-14		33	68731-000	Kingpin Seal	4
	34013-236	Axle Set		34	64256-000	Roller Thrust Bearing	2
	34013-297	One Side		35	60236-001	⅝" Socket Head Cap Screw	4
12	21867-036	¾"-16 UNF x 5" Bolt	8	Not Shown	60937-000	Loctite® (Red) Compound Tube	1
13	22962-001	¾" Flat Washer	8	36	64246-000	ABS Sensor Sleeve	2
14	17700-035	¾"-16 UNF Nylocknut	8	37	76878-002	Tie Rod Assembly, Drop, Includes Key Nos. 38-40	1
15	64488-002	Front Hanger	2			Tie Rod End Service Kits	
		Front Hanger Fasteners Service Kit , Includes Key Nos. 16-18			60961-737	Axle Set , Includes Kits Nos. 60961-739 & -740	
	64105-015	Axle Set			60961-739	Left Hand , Includes Key Nos. 38, 41-42	
	34013-298	One Side			60961-740	Right Hand , Includes Key Nos. 39, 41-42	
16	21867-006	¾"-16 UNF x 7" Bolt	2			Tie Rod End, Includes Key No. 40	
17	22962-001	¾" Flat Washer	4	38	76875-001	Left Hand	1
18	30191-000	¾"-16 UNF Nylocknut	2	39	76875-002	Right Hand	1
19	66510-001	Rear Shackle Bracket Assembly	2	40		*⅞" Castle Nut	2
20	64314-000	Shackle Plate	4	41	22962-007	⅞" Flat Washer	2
		Rear Shackle Bracket Fasteners Service Kit , Includes Key Nos. 21-23		42	17800-004	Tie Rod Nut Cotter Pin	2
	60961-872	Axle Set			60961-069	Stop Bolt Service Kit, One Side , Includes Key Nos. 43-44	
	34013-299	One Side		43		*½"-13 UNC Square Head Bolt	2
21	21867-023	¾"-16 UNF x 6½" Bolt	4	44		*½"-13 UNC Hex Jam Nut	2
22	22962-001	¾" Flat Washer	8				
23	30191-000	¾"-16 UNF Nylocknut	4				

NOTE: * Item included in kit / assembly only, part not sold separately.

■ Special Tool

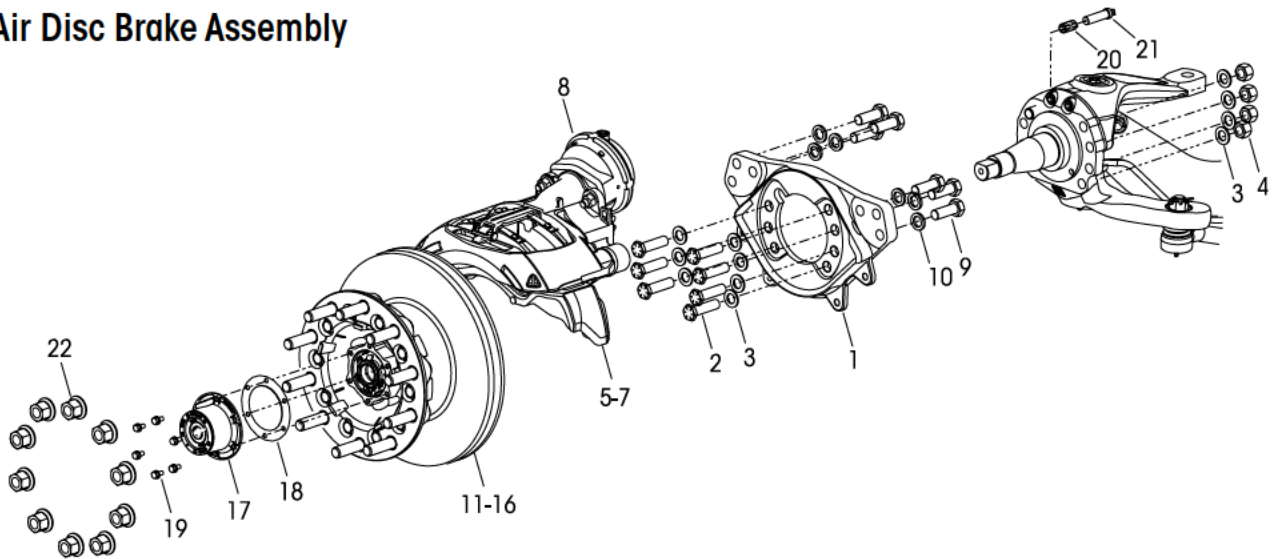
KINGPIN BUSHING TOOL – ADJUSTABLE STRAIGHT FLUTE REAMER

The dimension of cutting diameter must facilitate a range of 1.802" – 1.812"





Air Disc Brake Assembly



KEY NO.	PART NO.	DESCRIPTION	VEHICLE QTY.	KEY NO.	PART NO.	DESCRIPTION	VEHICLE QTY.
1		*Bendix® Torque Plate Assembly Left Hand Part No. K114010 Right Hand Part No. K114011	1 1	11		*Conmet Hub Bearing Rebuild Kit, Part No. 10081727	
2	80135-002	3/4"-10 UNC x 2.75" Torque Plate Mounting Bolt	14	12		*Conmet Inner Bearing Cup and Cone Assembly, Part No. 10041905	
3	22962-001	3/4" Torque Plate Mounting Flat Washer	22	13		*Conmet Outer Bearing Cup and Cone Assembly, Part No. 10041906	
4	49842-000	3/4"-10 UNC Hex Nut	8	14		*Conmet Wheel Seal and Spacer Kit, Part No. 10081518	
5		*Bendix Brake Caliper/Caliper Assembly Left Hand Part No. K097851SC Right Hand Part No. K097850SC	1 1	15		*Conmet Seal Kit Part No. 10045885	
6		*Bendix Brake Pad Kit No. K129276, Axle Set (Includes hardware)		16		*Conmet Rotor Service Kit Part No. 10082074	
7		*Bendix Shear Adapter for the Adjuster, Part No. 802455		17		*Stemco® Hub Cap Part No. 343-4346 Includes Key No. 18	2
8		*Bendix Air Brake Chamber Part No. K028226		18		*Stemco Hub Cap Gasket Part No. 330-3024	2
9	SA-13200-2	M20 x 2.5 x 60 mm Caliper Bolt	12	19	64545-002	5/16"-18 UNC x 3/4" Hub Cap Hex Bolt with Retaining Washer	12
10	58246-007	M20 Flat Washer	12	20	A-22930-4	ABS Sensor	2
		*Conmet® Hub and Rotor Assembly, Part No. 10083194, Includes Key Nos. 11-16	2	21	64550-000	Sensor Clip	2
				22		**Lug Nuts	20

NOTES:* Not supplied by Hendrickson for aftermarket service purposes. Description and part number listed for reference only. For more information and assistance with service, maintenance and rebuild instructions on these components see below component manufacturers:

- Bendix 1-800-AIR-BRAKE, customer service option 1, Tech Team, option 2. Online part number support go to: www.bendix.com/en/servicessupport/partnumbersearch/partnumbersearch_1.jsp
Online technical support training go to: www.brake-school.com
- Conmet Technical and Part Support 800.547.9473 or go to www.conmet.com/general/literature, go to Wheel End Literature, scroll down to Service Manual, Lit No. 10084476
- Stemco Technical and Part Support 800.527.8492 or go to www.stemco.com

** Not supplied by Hendrickson. Refer to the vehicle manufacturer for more information. Hendrickson is not responsible for components supplied by vehicle manufacturer.

This is a general parts list to provide directional information. Components may vary by model. Questions in regards to parts, contact Hendrickson Truck Parts at 1.866.755.5968 (Toll-free U.S. and Canada), 630.910.2800 (Outside U.S. and Canada) or e-mail: truckparts@hendrickson-intl.com.

Actual product performance may vary depending upon vehicle configuration, operation, service and other factors.

All applications must comply with applicable Hendrickson specifications and must be approved by the respective vehicle manufacturer with the vehicle in its original, as-built configuration. Contact Hendrickson for additional details regarding specifications, applications, capacities, and operation, service and maintenance instructions.

Call your truck dealer or Hendrickson at 1.866.755.5968 (toll-free) or 1.630.910.2800 for additional information.



www.hendrickson-intl.com

SP-319 Rev A 02-19

© 2019 Hendrickson USA, L.L.C. All Rights Reserved. All trademarks shown are owned by Hendrickson USA, L.L.C., or one of the affiliates, in one or more countries. Information contained in this literature was accurate at the time of publication. Product changes may have been made after the copyright date that are not reflected.

TRUCK COMMERCIAL VEHICLE SYSTEMS
800 South Frontage Road
Woodridge, IL 60517-4904 USA
1.866.755.5968 (Toll-free U.S. and Canada)
1.630.910.2800 (Outside U.S. and Canada)
Fax 1.630.910.2899