



AIRTEK[®]

Integrated Front Air Suspension
and Steer Axle System

Delivers premium ride quality on
Volvo[®] VNL and VNR Series trucks



The superior design and engineering of the AIRTEK[®] system helps improve roll stability versus other suspensions. Its exclusive air springs support a majority of the load, greatly increasing driver comfort. Premium rubber bushings are incorporated to aid in the isolation of noise, vibration and harshness, which helps protect valuable cab components and contributes to AIRTEK's exceptional ride quality. AIRTEK assists in protecting drivers from bumps and potholes, providing a premium ride while maintaining constant ride height. Available in 12,000-, 12,500-, 13,200- and 14,600-pound capacities, AIRTEK is up to 57 pounds lighter than standard content to improve load capacity and help enhance fuel efficiency on Volvo[®] VNL and VNR Series trucks.



To learn more about AIRTEK,
call 855.743.3733 or visit
www.hendrickson-intl.com

HENDRICKSON
The World Rides On Us[®]

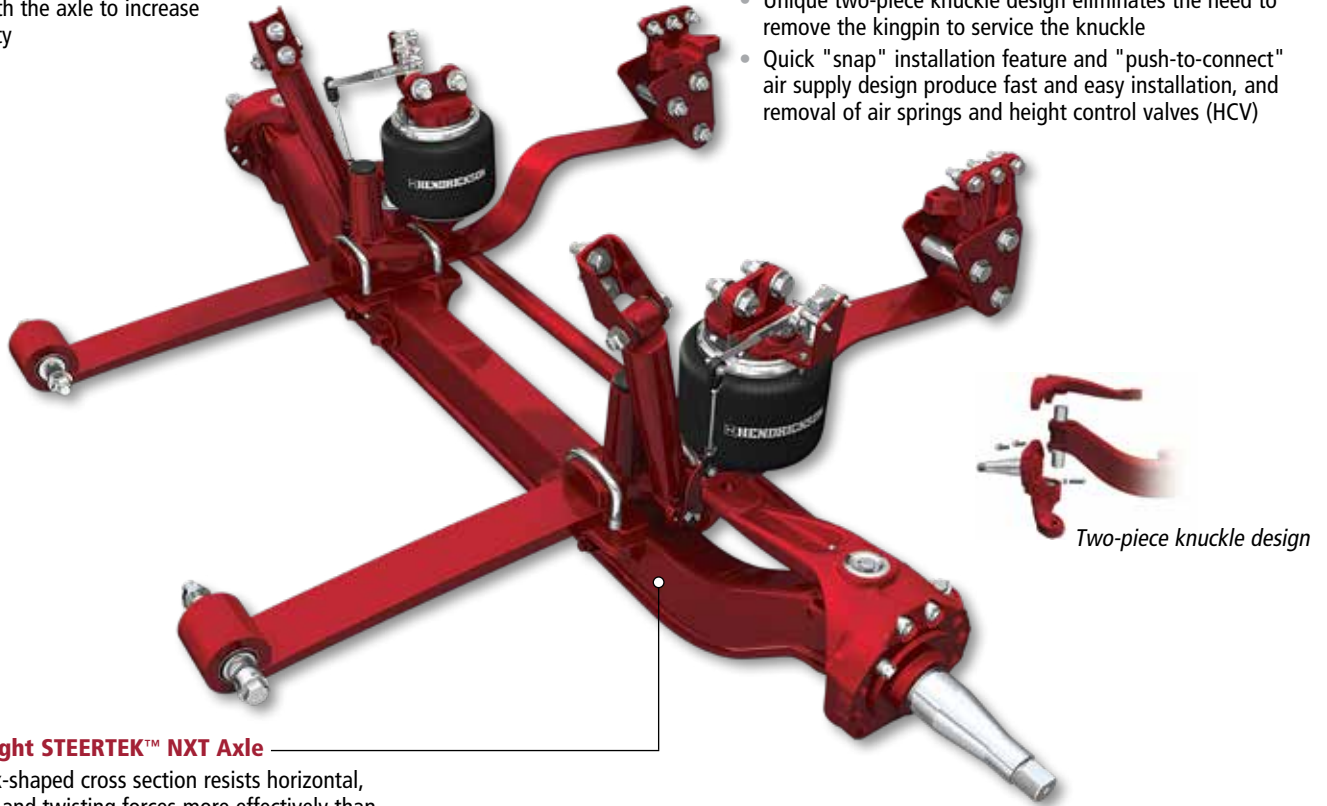
AIRTEK® Features and Benefits

Improved Ride and Comfort

- Exclusive air springs support a majority of the load to provide a low spring rate and improved ride
- Leaf spring assembly forms a torsion system with the axle to increase roll stability

Reduced Maintenance

- Durable rubber front and rear bushings require no lubrication
- Premium kingpin bushings and seals provide enhanced protection from the elements to improve bushing life and helps extend scheduled service intervals up to 100,000 miles*
- Unique two-piece knuckle design eliminates the need to remove the kingpin to service the knuckle
- Quick "snap" installation feature and "push-to-connect" air supply design produce fast and easy installation, and removal of air springs and height control valves (HCV)



Two-piece knuckle design

Lightweight STEERTEK™ NXT Axle

- The box-shaped cross section resists horizontal, vertical and twisting forces more effectively than traditional I-beam axles to improve handling
- Continuous beam architecture minimizes stress points for added durability
- Weighs less than original I-beam and spring clamp group
- Integrated axles seats to improve ground clearance, reduce part count and simplify assembly
- Available in 12,000-, 12,500-, 13,200- and 14,600-pound capacities

Brake Compatibility

- Compatible with drum or disc brakes
- Accepts 5/8 and 3/4 in. brake hardware

Warranty

- STEERTEK NXT comes with a standard 10-year 1 million mile limited warranty**

SALES CODE	DESCRIPTION
370430	Hendrickson STEERTEK NXT 12,000 lb. Capacity
370431	Hendrickson STEERTEK NXT 12,500 lb. Capacity
370432	Hendrickson STEERTEK NXT 13,200 lb. Capacity
370433	Hendrickson STEERTEK NXT 14,600 lb. Capacity
371076	Hendrickson AIRTEK Matched to Front Axle Capacity

The AIRTEK system is integral to and available exclusively with the STEERTEK NXT axle. Contact Hendrickson or Volvo for availability.

* Contact Hendrickson for full service interval details and limitations.

** 10-year, 1 million mile limited warranty covers certain structural components only. Warranty coverage applies to the axle beam, steering arm, knuckle assembly and kingpin when used in applications approved by Hendrickson and within the proper guidelines of the product. Warranty does not cover components experiencing normal wear.

Actual product performance may vary depending upon vehicle configuration, operation, service and other factors.

All applications must comply with applicable Hendrickson specifications and must be approved by the respective vehicle manufacturer with the vehicle in its original, as-built configuration. Contact Hendrickson for additional details regarding specifications, applications, capacities, and operation, service and maintenance instructions.

Call Hendrickson at **630.910.2800** or **855.RIDERED (743.3733)** for additional information.



www.hendrickson-intl.com

TRUCK COMMERCIAL VEHICLE SYSTEMS

800 South Frontage Road
Woodridge, IL 60517-4904 USA
855.RIDERED (743.3733)
630.910.2800 • Fax 630.910.2899



www.volvotrucks.com

45745-307 Rev C 02 -20

© 2008 - 2020 Hendrickson USA, L.L.C. All Rights Reserved. All trademarks shown are owned by Hendrickson USA, L.L.C., or one of its affiliates, in one or more countries, except for Volvo, the Volvo logo, VNL and VNR, which are owned by Volvo Group North America, LLC or one of its affiliates. Information contained in this literature was accurate at the time of publication. Product changes may have been made after the copyright date that are not reflected.

Printed in United States of America