

H PARTS LIST

TRI-FUNCTIONAL[®] BUSHING
REPLACEMENT TOOL

LIT NO: L589

DATE: May 2019

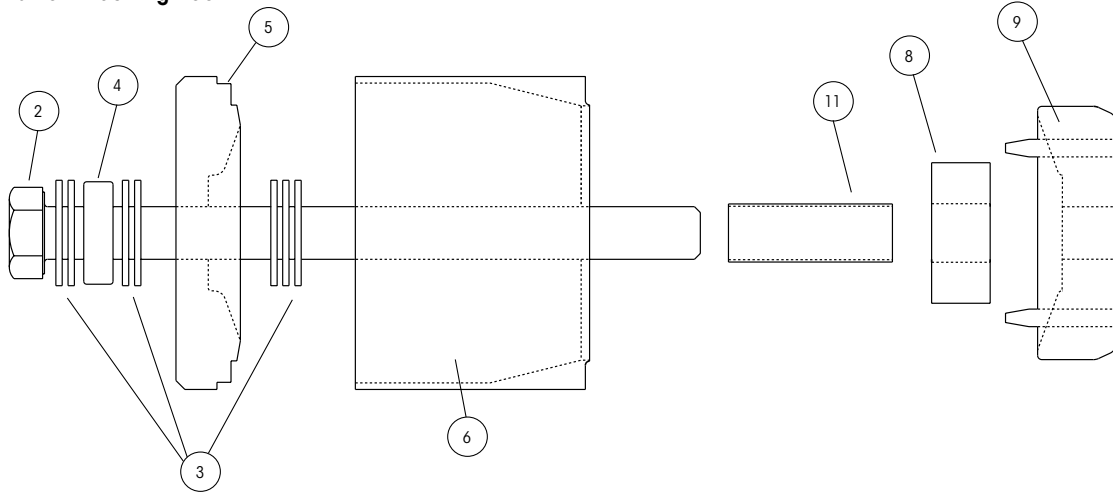
Revision: G



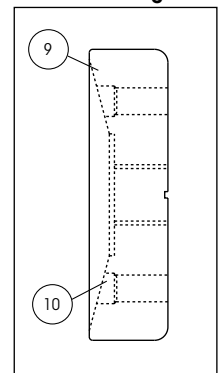
BUSHING TOOLS

ITEM	DESCRIPTION	QTY.	WIDE BUSHING TOOL PART NUMBER	NARROW BUSHING TOOL PART NUMBER
1	COMPLETE BUSHING TOOL (Individual Components Shown)	1	S-21307	S-24736
2	HEX HEAD BOLT			
	ACME threads — 14"	1	N/A	S-24215
	ACME threads — 18"	1	S-21308	N/A
3	WASHERS	7	SA-1500-15	SA-1500-15
4	THRUST BEARING	1	S-21315	S-21315
5	FRONT PLATE	1	S-21312	S-26986
6	TRANSITION TUBE	1	S-21313	S-24216
7	CUP (Not Shown)	1	S-21310	N/A
8	REMOVAL SPACER	1	S-21314	S-21314
9	REAR DRIVE PLATE	1	S-21309	S-26985
10	CUP POINT SET SCREW			
	4" screw for removal	2	SA-2800-4	N/A
	2" screw for installation	2	SA-2800-7	N/A
11	LINER	1	N/A	S-2068-4
12	EXTREME PRESSURE LUBE (Not Shown)	1	S-21337	S-21337

Narrow Bushing Tool



Wide Bushing Tool



Actual product performance may vary depending upon vehicle configuration, operation, service and other factors.

All applications must comply with applicable Hendrickson specifications and must be approved by the respective vehicle manufacturer with the vehicle in its original, as-built configuration. Contact Hendrickson for additional details regarding specifications, applications, capacities, and operation, service and maintenance instructions.

Call Hendrickson at **330.489.0045** or **866.RIDEAIR (743.3247)** for additional information.



www.hendrickson-intl.com

TRAILER COMMERCIAL VEHICLE SYSTEMS
 2070 Industrial Place SE
 Canton, OH 44707-2641 USA
 866.RIDEAIR (743.3247)
 330.489.0045 • Fax 800.696.4416

Hendrickson Canada
 250 Chrysler Drive, Unit #3
 Brampton, ON Canada L6S 6B6
 800.668.5360
 905.789.1030 • Fax 905.789.1033

Hendrickson Mexicana
 Circuito El Marqués Sur #29
 Parque Industrial El Marqués
 Pob. El Colorado, Municipio El Marqués,
 Querétaro, México C.P. 76246
 +52 (442) 296.3600 • Fax +52 (442) 296.3601

L589 Rev G 05-19

© 1999 – 2019 Hendrickson USA, L.L.C. All Rights Reserved. All trademarks shown are owned by Hendrickson USA, L.L.C., or one of its affiliates, in one or more countries. Information contained in this literature was accurate at the time of publication. Product changes may have been made after the copyright date that are not reflected.

Printed in United States of America