



# H<sup>®</sup> SELECTION GUIDE

## RS™ Rear Suspension Frame Hangers

LIT NO: 45745-037

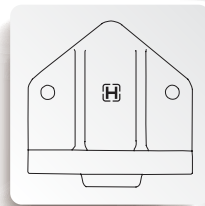
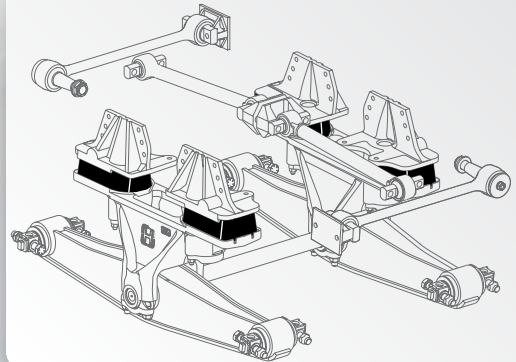
DATE: March 2021

REVISION: F

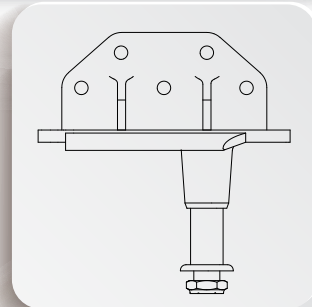
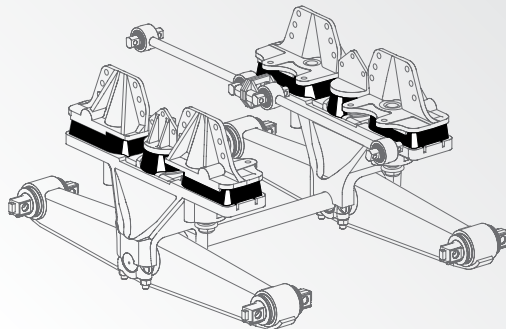
### CONTENTS

DESCRIPTION	PAGE
Introduction . . . . .	2
Selection Guide Instructions . . . . .	2
Vehicles Built from 1990 to Present . . . . .	4
Heavy-duty Frame Hanger . . . . .	5
Fabricated Frame Hanger . . . . .	6

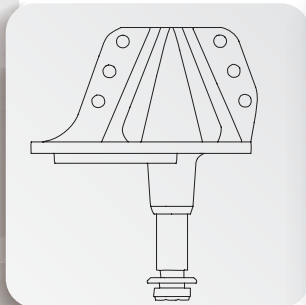
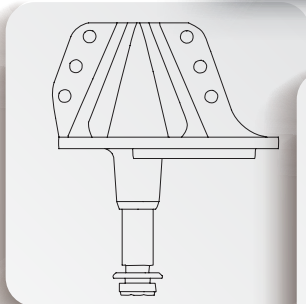
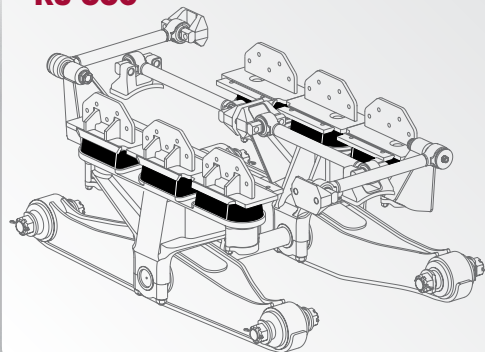
#### RS 400/403/460/463



#### RS 480/503/520/523



#### RS 650



To learn more about Hendrickson  
Genuine Parts, call 1.866.755.5968 or  
visit [www.hendrickson-intl.com](http://www.hendrickson-intl.com)

## ■ Introduction

This RS Frame Hanger Selection Guide is intended to aid in the proper identification for aftermarket replacement of originally equipped RS drilled hangers and heavy-duty center hangers. On glider kit installations, where we do not have control of hanger usage, ensure that the proper hangers are used for the glider frame width.

Refer to Hendrickson RS Suspension Technical Literature Numbers SP-166, 17730-064, 17730-190 and 17730-213 for additional information on proper maintenance, service, repair and rebuild instructions available on-line at [www.hendrickson-intl.com](http://www.hendrickson-intl.com)

## ■ Selection Guide Instructions

### STEP 1

Obtain the frame hanger part number.

### STEP 2

Identify the truck manufacturer.

### STEP 3

Measure outside to outside frame width.

### STEP 4

If needed, refer to the hole diameters **Dimension "A"** and where available, the measurement taken from the bottom of the frame to the first line of holes of the frame hanger **Dimension "B."**

### STEP 5

In some cases the vehicle manufacturer has changed the drill patterns while still using the same casting number, contact the vehicle manufacturer to request specifications. Always use hole location dimensions as a final check.

## NOTE

When replacing RS suspension hangers, Hendrickson recommends a minimum of a 5/8" Grade 8 bolt, Grade C locknut and hardened washers to attach frame hangers to the vehicle frame, in some vehicles the holes in the frame may need to be enlarged to accommodate 5/8" fasteners.

For any questions regarding the casting number or truck manufacturer not listed contact Hendrickson Truck Parts or email: [truckparts@hendrickson-intl.com](mailto:truckparts@hendrickson-intl.com)).

## Load Cushions

The RS suspensions are equipped with standard four rubber load cushions. Each cushion has an inner cross bar that helps support the load when the vehicle is loaded. An empty vehicle is supported only by the outer edges of the cushions.

## Vertical Drive Pin

The RS frame hangers have vertical drive pins that extend down through the load cushions and are secured to rubber vertical drive bushings in the saddle.

## Rebound Control Stop Kit

A rebound control stop kit consisting of special stop nuts and elastomer bumpers is available to increase stability in high center of gravity or offset loading vehicles. Rebound control stop kit is optional for 40,000 through 48,000 pound capacities and standard on 52,000 pound capacity units.

### REBOUND CONTROL STOP KIT

#### KIT NO.

31005-001	One Side
31005-002	Both Sides

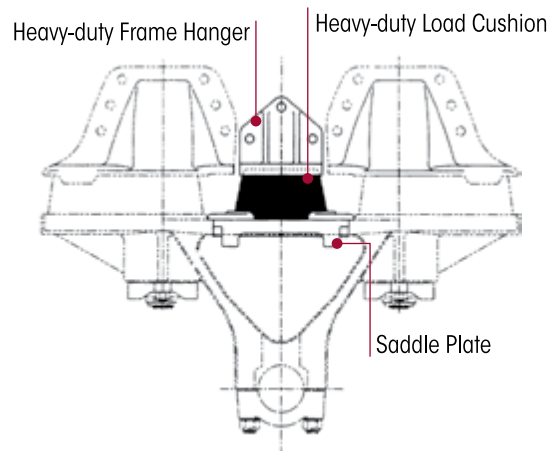
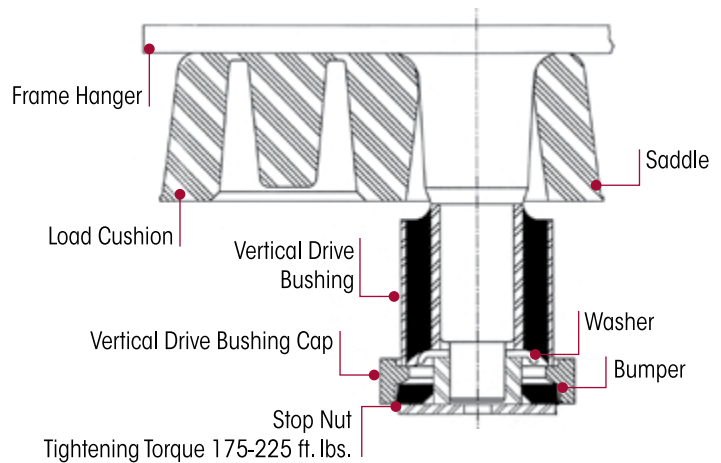
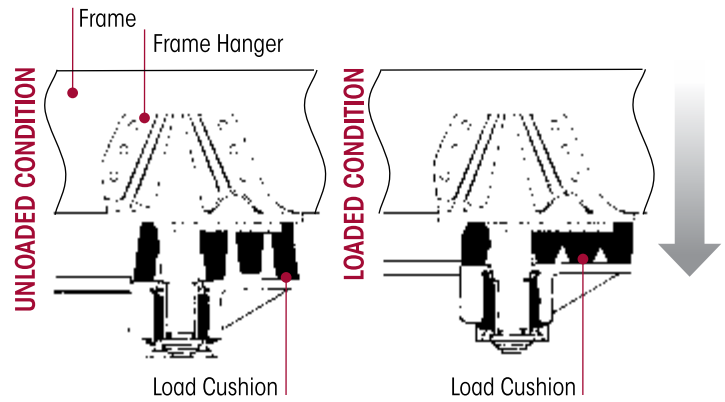
## Heavy-duty Load Cushion Kit

The heavy-duty load cushion kit for increased stability consists of an additional round center cushion and related frame hanger for each side of the chassis. Heavy-duty Load Cushion Kit is optional for 40,000 pound capacities and standard on 46,000 through 52,000 pound capacity units.

### HEAVY-DUTY LOAD CUSHION KIT

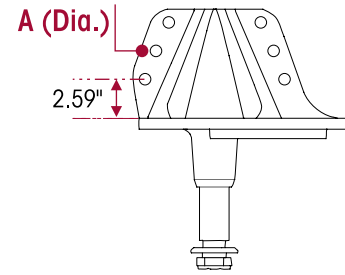
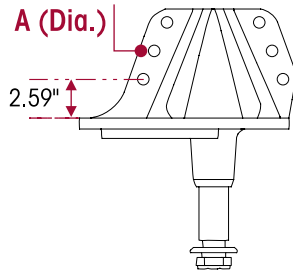
#### KIT NO.      FRAME WIDTH

20681-072	34"
20681-077	34½"





**Vehicles Built From 1990 to present**



**Left Hand Front • Right Hand Rear**

**Right Hand Front • Left Hand Rear**

**FITS FRAME WIDTH 33.94" TO 34.19" (0.09" HANGER OFFSET)**

**CASTING NO. 57063-000**  
Replaced 48219-000 in 1994

**CASTING NO. 57066-000**  
Replaced 48221-000 in 1994

OEM	DIMENSION A HOLE DIA. (in inches)	PREVIOUS PART NO.	REPLACEMENT PART NO.	DIMENSION A HOLE DIA. (in inches)	PREVIOUS PART NO.	REPLACEMENT PART NO.
Ford • Sterling	0.83	48220-001	57065-001	0.83	48222-001	57068-001
Duplex Truck • Emergency One Freightliner • HME International Truck (Pre-1997) Kenworth • Mack • Marmon Oshkosh • Peterbilt • Peter Pirsch Pierce • Savage Mfg. • Sutphen Western Star	0.66	48220-002	57065-002	0.66	48222-002	57068-002
Peterbilt	0.66	48220-003	57065-003	0.66	48222-003	57068-003
Mack	0.69	48220-004	57065-004	0.69	48222-004	57068-004
International Truck	0.66	48220-006	57065-006	0.66	48222-006	57068-006

**FITS FRAME WIDTH 34.44" TO 34.69" (0.34" HANGER OFFSET)**

**CASTING NO. 57057-000**  
Replaced 48215-000 in 1994

**CASTING NO. 57060-000**  
Replaced 48217-000 in 1994

Ford	0.83	48216-001	57059-001	0.83	48218-001	57062-001
GM • International Truck (Pre-1997) Mack • Volvo	0.66	48216-002	57059-002	0.66	48218-002	57062-002
Peterbilt • Western Star	0.66	48216-003	57059-003	0.66	48218-003	57062-003
Freightliner	0.66	48216-004	57059-004	0.66	48218-004	57062-004
International Truck	0.66		57059-005	0.66		57062-005

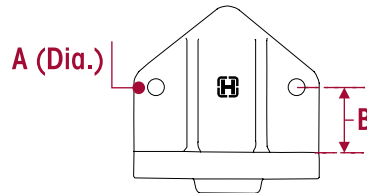
**FITS FRAME WIDTH 34.75" TO 35.00" (0.50" HANGER OFFSET)**

**CASTING NO. 57051-000**  
Replaced 48211-000 in 1994

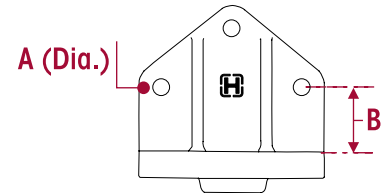
Ford • International • Sterling	0.83	48212-001	57053-001
Mack • Osterlund • Spartan • Volvo	0.66	48212-002	57053-002



### Heavy-duty Frame Hangers



2-Bolt Design



3-Bolt Design

**FITS FRAME WIDTH 33.50" (0.19" HANGER OFFSET)**

**CASTING NO. 49117-000**

OEM	DIMENSION A HOLE DIA. (in inches)	NUMBER OF BOLTS	DIMENSION B (in inches)	PART NO.
Mack	0.66	2	2.12	49118-000

**FITS FRAME WIDTH 33.94" TO 34.19" (0.09" HANGER OFFSET)**

**CASTING NO. 48522-000**  
*Replaces 20780-000*

Advance Mixer • Crane Carrier • Duplex Truck Freightliner (Pre 1984) • Mack • Marmon International Truck • Western Star (Pre 1988)	0.66	3	1.88	48523-001
Kenworth • International Truck • Pierce Mfg. Savage Mfg. • Western Star	0.66	3	2.25	48523-002
Freightliner • HME • Peterbilt	0.66	3	2.25	48523-003
Oshkosh	0.66	2	2.25	48523-004
Ford • Sterling	0.66	2	2.38	48523-005
Oshkosh	0.53	3	1.88	48523-006
Mack	0.66	2	2.12	48523-007

**FITS FRAME WIDTH 33.44" TO 34.69" (0.34" HANGER OFFSET)**

**CASTING NO. 48524-000**  
*Replaces 30088-000*

Freightliner • GM • Mack • Peterbilt • Volvo	0.66	3	2.25	48525-001
International Truck	0.66	3	2.25	48525-006
International Truck	0.66	3	2.50	48525-008
Peterbilt	0.66	3	2.50	48525-009

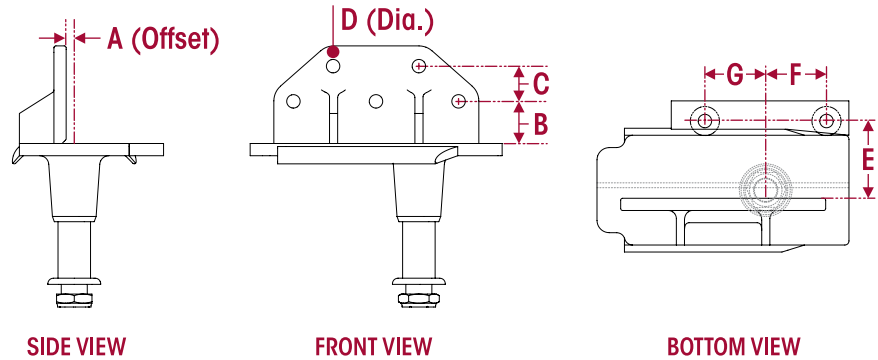
**FITS FRAME WIDTH 34.75" TO 35.00" (0.50" HANGER OFFSET)**

**CASTING NO. 49119-000**

Ford • Sterling	0.66	2	2.36	49120-001
Ford (Pre 1983) • Osterlund • Spartan	0.66	3	2.25	49120-002



## Fabricated RS Hangers



FITS FRAME WIDTH 33.94" – 35.0"

PART NUMBER		DIMENSIONS (in inches)						
Left Hand Front Hand Rear	Right Hand Front Left Hand Rear	A OFFSET	B	C	D HOLE DIA.	E	F	G
048082-033	048082-034	0.09	2.25	1.88	0.66	4.50	3.70	3.70
048082-031	048082-032		2.60	2.17	0.83	4.60		
◆ 048082-037	◆ 048082-038				0.66			
◆ 048082-023	◆ 048082-024	0.34	2.25	1.88	0.66	4.50	3.70	3.70
048082-035	048082-036	0.50	2.36	2.19	0.76	4.63	3.70	3.70
048082-025	048082-026		2.60	2.17	0.83	4.75		
048082-003	048082-004	0.63	2.25	1.88	0.66	4.50	2.44	7.69
048082-043	048082-044					5.00		
◆ 048082-021	◆ 048082-022	0.84	2.25	1.88	0.66	5.00	2.44	7.69
048082-041	048082-042					5.19		
048082-001	048082-002	0.91	2.25	1.88	0.66	4.37	1.37	6.62
048082-015	048082-016					4.50	2.44	7.69

◆ Part number no longer in production and is obsolete, contact Hendrickson Truck Parts for available options.



Toll-free U.S. and Canada  
1.866.755.5968

Outside U.S. and Canada  
1.630.910.2800



Parts Identification  
truckparts@hendrickson-intl.com

Technical Support  
techservices@hendrickson-intl.com



1.630.910.2899



Additional Hendrickson  
Product Information  
www.hendrickson-intl.com

Actual product performance may vary depending upon vehicle configuration, operation, service and other factors. All applications must comply with applicable Hendrickson specifications and must be approved by the respective vehicle manufacturer with the vehicle in its original, as-built configuration. Contact Hendrickson for additional details regarding specifications, applications, capacities, and operation, service and maintenance instructions.

Call Hendrickson at **1.866.755.5968** (toll-free) or **1.630.910.2800** for additional information.



www.hendrickson-intl.com

**TRUCK COMMERCIAL VEHICLE SYSTEMS**  
800 South Frontage Road  
Woodridge, IL 60517-4904 USA  
1.866.755.5968 (Toll-free U.S. and Canada)  
1.630.910.2800 (Outside U.S. and Canada)  
Fax 1.630.910.2899

45745-037 Rev F 03-21

© 1990–2021 Hendrickson USA, L.L.C. All Rights Reserved. All trademarks shown are owned by Hendrickson USA, L.L.C., or one of the affiliates, in one or more countries.

Information contained in this literature was accurate at the time of publication. Product changes may have been made after the copyright date that are not reflected.

Printed in United States of America