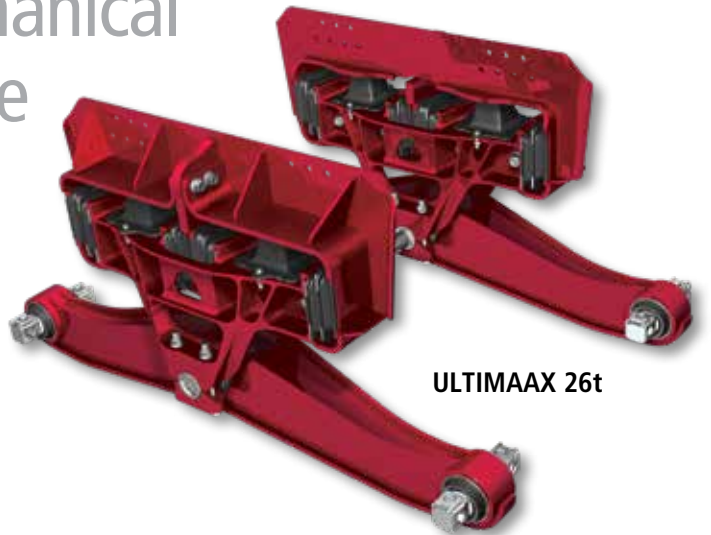




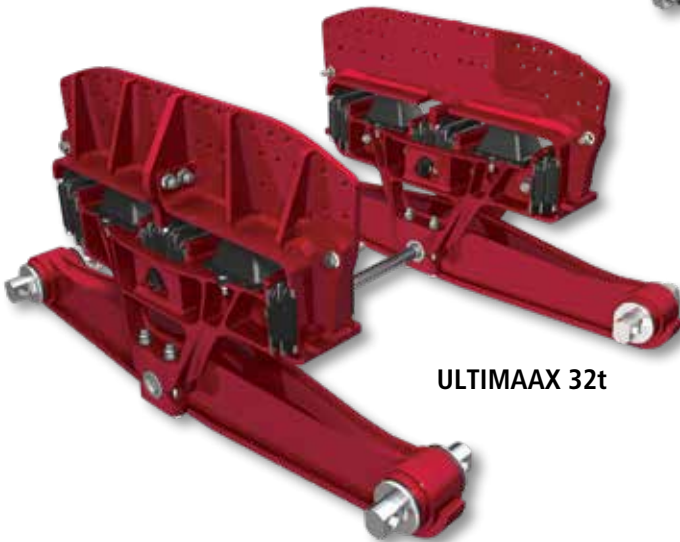
# ULTIMAAX<sup>®</sup>

Advanced Severe-Duty Rubber Truck Suspension

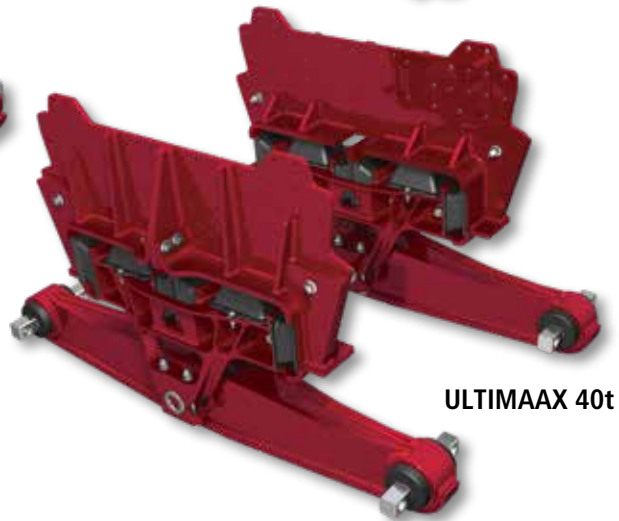
- Extreme durability
- Premium ride quality
- Low life cycle costs
- Lighter than mechanical suspensions in the same class



ULTIMAAX 26t



ULTIMAAX 32t



ULTIMAAX 40t



Hendrickson's ULTIMAAX<sup>®</sup> advanced severe-duty rubber suspension, balances outstanding durability, ride quality, mobility and stability. The efficient design is engineered to reduce complexity for truck manufacturers in supply chain, assembly and warranty management as well as to lower life cycle costs for fleets in daily operation. ULTIMAAX is designed and recommended for severe-duty truck applications such as tipper, mining and refuse trucks.

To learn more about ULTIMAAX, call Hendrickson or visit our global websites for additional information.

 **HENDRICKSON**

*The World Rides On Us<sup>®</sup>*

# ULTIMAAX® Features and Benefits

## Increase Durability

- Demanding job-site and off-road conditions
- Designed and tested to provide extreme durability in harsh terrain

## Lower Life Cycle Costs

- Higher payload — for increased productivity
- Reduced maintenance — no lubrication points

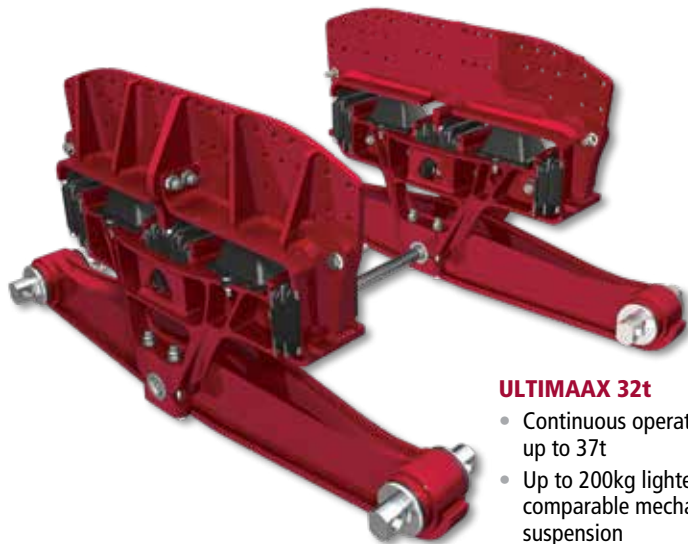
## Improve Driveability

- Premium ride quality in laden and unladen condition
- Progressive roll stability — improves road contact during cornering manoeuvres
- Excellent articulation and traction — up to 400mm (laden)



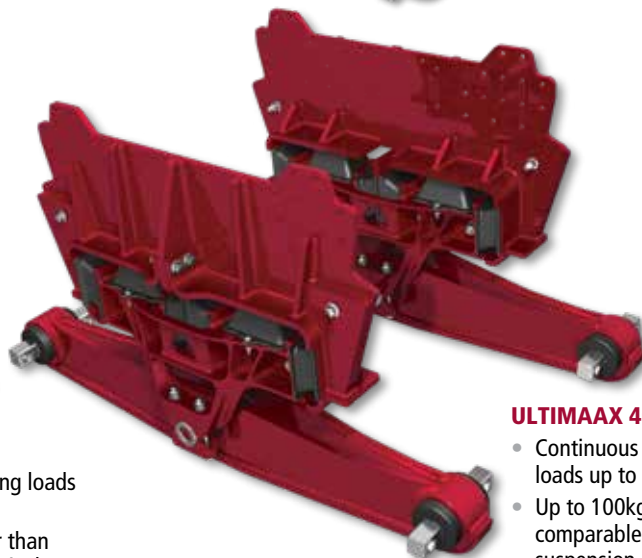
### ULTIMAAX 26t

- Continuous operating loads up to 29t
- Up to 250kg lighter than comparable mechanical suspension



### ULTIMAAX 32t

- Continuous operating loads up to 37t
- Up to 200kg lighter than comparable mechanical suspension



### ULTIMAAX 40t

- Continuous operating loads up to 48t
- Up to 100kg lighter than comparable mechanical suspension

## ULTIMAAX Specifications

	26t	32t	40t
<b>Suspension Rating</b>	26 to 29t	32 to 37t	40 to 48t
<b>Ride Heights<sup>1</sup></b>	200 to 300mm	250 to 350mm	250 to 350mm
<b>Axle Spacing<sup>1</sup></b>	1,350 - 1,500mm	1,350 - 1,500mm	1,400 - 1,500mm

1. For different ride heights or axle spacing options, contact Hendrickson for further information. U.S. and foreign patents granted and / or pending.

All applications must comply with applicable Hendrickson specifications and be approved by the respective vehicle manufacturer with the vehicle in its original as-built configuration. Contact Hendrickson and the respective vehicle manufacturer for approval of specific applications.

For additional details regarding specifications, applications, capacities, and operating, service and maintenance instructions, refer to applicable Hendrickson technical literature (available at [www.hendrickson-intl.com](http://www.hendrickson-intl.com)) or contact Hendrickson.

Shock absorbers are required in tractor and logging applications. Ride and traction may be improved in other applications with shock absorbers. Ride performance can be subjective and may be dependent on many factors beyond the suspension design such as cab suspension, road conditions, body/auxiliary equipment, frame specifications, etc. Contact Hendrickson or your truck manufacturer/dealer for further information.

Actual product performance may vary depending upon vehicle configuration, operation, service and other factors.

Call Hendrickson or visit our global websites for additional information.



500 Park Boulevard, Suite 450  
Itasca, IL 60143-1285 USA  
+1.630.874.9700

**Hendrickson Commercial Vehicle Systems Europe**  
Hendrickson Austria GmbH  
Gussstahlwerkstraße 21  
A-8750 Judenburg, Austria  
+43 3572 44011 400  
[eu.hendrickson-intl.com](http://eu.hendrickson-intl.com)

**Hendrickson Truck Commercial Vehicle Systems**  
800 South Frontage Road  
Woodridge, IL 60517-4904 USA  
+1.855.743.3733  
+1.630.910.2800  
[www.hendrickson-intl.com](http://www.hendrickson-intl.com)

**Hendrickson Trailer Commercial Vehicle Systems**  
2070 Industrial Place SE  
Canton, OH 44707-2641 USA  
+1.866.743.3247  
+1.330.489.0045  
[www.hendrickson-intl.com](http://www.hendrickson-intl.com)

**Hendrickson Commercial Vehicle Systems Australia**  
32-44 Letcon Drive  
Dandenong South, Victoria,  
3175 Australia  
+61 3 8792 3600  
[aus.hendrickson-intl.com](http://aus.hendrickson-intl.com)

**Hendrickson Commercial Vehicle Systems China**  
No. 1668  
North Section of Chunbo Road  
East New Dist of Jinan High-Tech  
Industrial Development Zone,  
Jinan City, Shandong Province,  
China, 250104  
+86 531 8880 9055  
[china.hendrickson-intl.com](http://china.hendrickson-intl.com)

**Hendrickson Commercial Vehicle Systems India**  
Plot No. 4 & 5, Gat. No. 679/2  
Behind Hotel Gandharva  
Alandi Kuruli Road, Kuruli (Chakan)  
Taluka Khed, Pune 410501, India  
+91 2135 662600  
[india.hendrickson-intl.com](http://india.hendrickson-intl.com)

**Hendrickson Commercial Vehicle Systems UK**  
1-9 Booth Drive  
Park Farm Industrial Estate  
Wellingborough, NN8 6GR,  
England  
+44(0) 1604 493161  
[uk.hendrickson-intl.com](http://uk.hendrickson-intl.com)