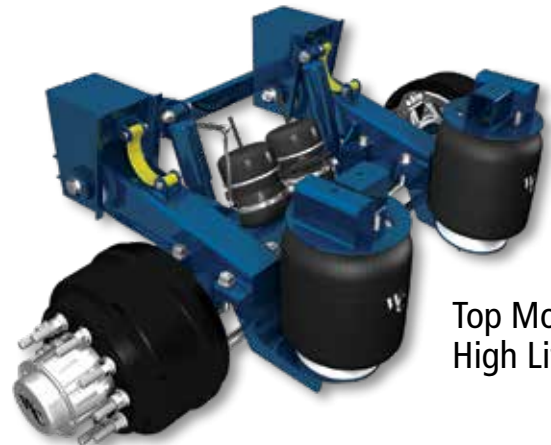
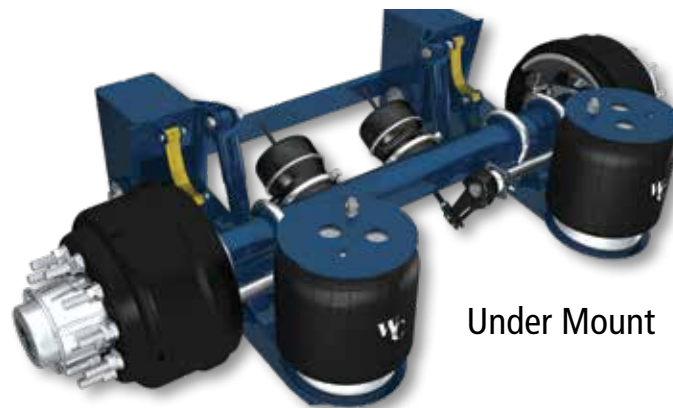


Top Mount

Top Mount
High Lift

Under Mount

TA-m

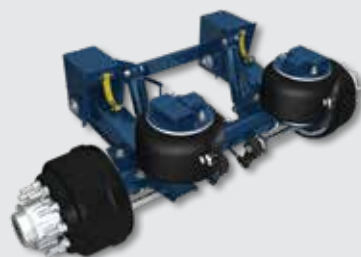
The **TA-m** family is a primary trailer suspension and axle module rated up to 13 metric tonnes. The TA-m delivers rugged performance, excellent ride quality and is ideal for numerous applications including tippers, side wall, dry van, flatbed and container chassis.

- Up to 13 metric tonnes suspension capacity
- Multiple configurations for a wide variety of applications
- Ride heights up to 610mm
- Extended-life bushings
- Quick, easy alignment system
- 2-year limited warranty*

* Contact your local Watson & Chalin representative for complete warranty terms, conditions and limitations.

The TA-m offers proven technology that excels in rugged conditions. The suspension and axle module deliver value to the end user with its durability and is backed by W&C with superior customer service.

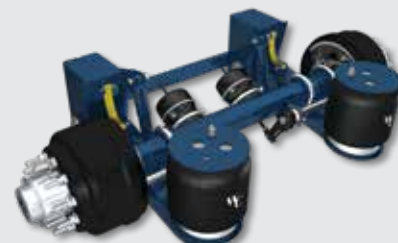
TA-m Specifications



TA11T-m TOP MOUNT



TA13L-m TOP MOUNT HIGH LIFT



TA11U-m UNDER MOUNT

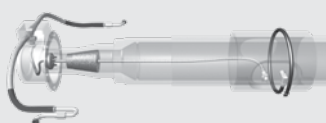
Capacity:	11t	13t	11t
Travel:	203mm	229mm	216mm
Lift:	92mm	135mm	87mm
Ride Heights:	380 to 485mm	380 to 610mm	165 to 230mm
Weight:	497kg	546kg	505kg

Top Mount and Under Mount also available in 13 tonne versions.

Value Added Options

- Tyre inflation systems
- Under beam lifts
- Air kits & tanks
- Industry-standard parts
- Technical support
- 2-year limited warranty*

* Contact your local W&C representative for warranty terms, conditions and limitations.



TIREMAAX®
Automatic tyre inflation system designed to help the operator save on fuel and increase tyre life



UL90 Lift Kit

Wheel-End Options

- 420 × 180mm drum
– 10 × 335mm PCD or 10 × 285mm PCD
- 311 × 190mm drum
– 8 × 275mm PCD
- 430mm disc
– 10 × 335mm PCD

Actual product performance may vary depending upon vehicle configuration, operation, service and other factors.

All applications must comply with applicable specifications from Watson & Chalin and the respective vehicle manufacturer.

Contact Watson & Chalin for additional details regarding specifications, applications, capacities, and operation, service and maintenance instructions.

For additional information, see: india.wcsuspensions-intl.com; china.wcsuspensions-intl.com; oceania.wcsuspensions-intl.com



Watson & Chalin India
Plot No. 4 & 5, Gat. No. 679/2
Behind Hotel Gandharva
Alandi Kuruli Road, Kuruli
(Chakan)
Taluka Khed, Pune 410501, India
+91 2135 662600

Watson & Chalin China
No. 1668 North Section of Chunbo Road,
East New Dist of Jinan High-Tech Industrial
Development Zone,
Jinan, 250104
Shandong, China
+86 531 8880 9055

Watson & Chalin Oceania
32-44 Letcon Drive
Dandenong South
Victoria 3175, Australia
+61 3 8792 3697

Watson & Chalin Thailand
+66 81 341 6765

Watson & Chalin South Korea
+82 10 5339 1730