

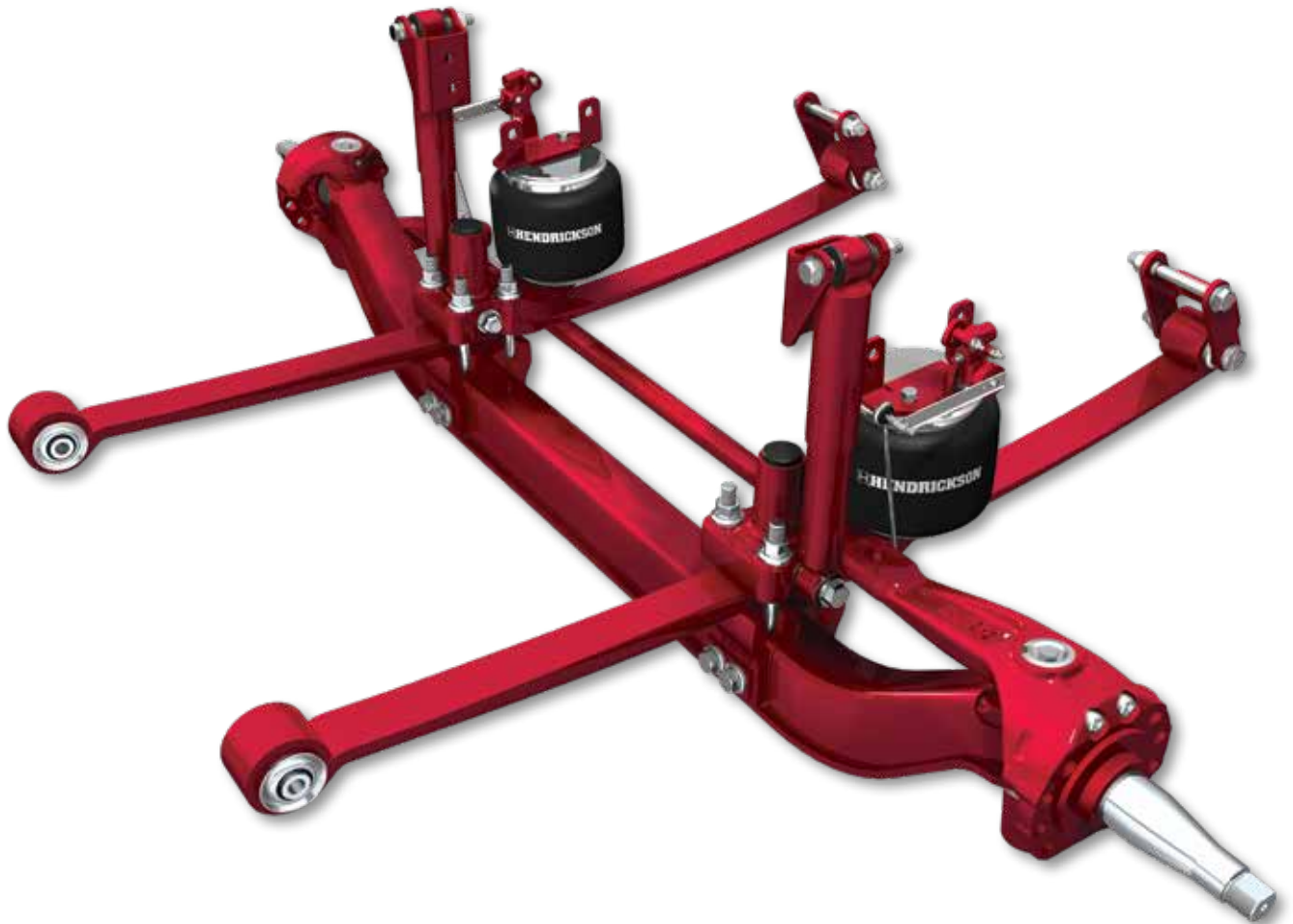


# AIRTEK<sup>®</sup> NXT

Integrated Front Air Suspension  
and Steer Axle System



## AIRTEK<sup>®</sup> NXT delivers next generation ride quality on Freightliner<sup>®</sup> Cascadia<sup>®</sup>



In the spirit of innovation, Hendrickson has developed the AIRTEK<sup>®</sup> NXT next generation air suspension system. AIRTEK NXT combines the STEERTEK<sup>™</sup> NXT axle and air suspension technology with an advanced lightweight integrated clamp group design. Hendrickson's advanced air suspension technology assists in protecting drivers from road irregularities, providing a premium ride. Available in 12,500 and 13,300 pound capacities, the new design is 65 pounds lighter than standard content to improve load capacity and help enhance fuel efficiency on the Freightliner<sup>®</sup> New Cascadia<sup>®</sup>.



To learn more about AIRTEK NXT,  
call 855.743.3733 or visit  
[www.hendrickson-intl.com](http://www.hendrickson-intl.com)

**HENDRICKSON**  
*The World Rides On Us<sup>®</sup>*

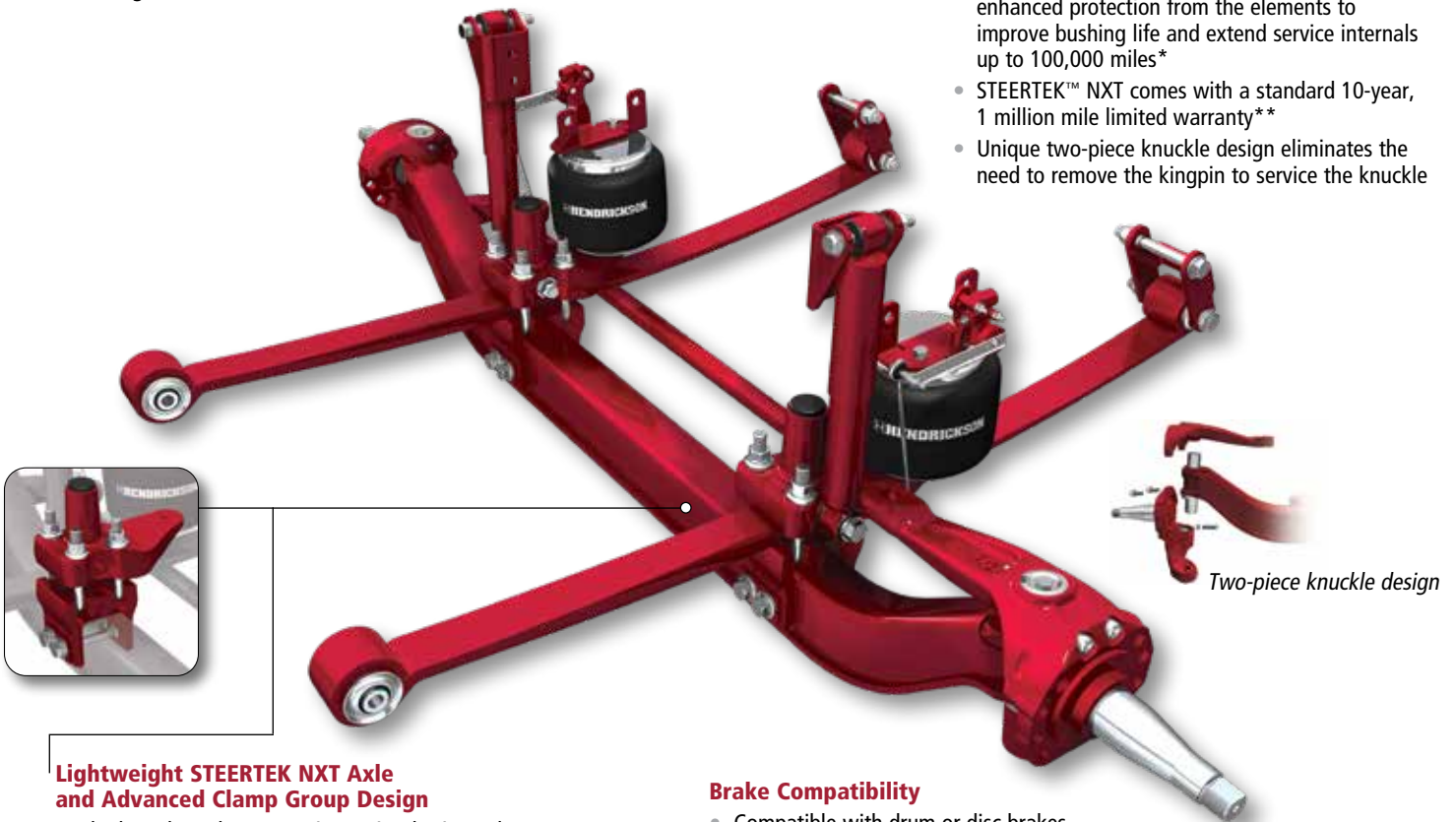
# AIRTEK® NXT Features and Benefits

## Improved Ride and Comfort

- Advanced air suspension technology assists in protecting drivers from road irregularities

## Reduced Maintenance

- Durable rubber front and rear bushings require no lubrication
- Premium kingpin bushings and seals provide enhanced protection from the elements to improve bushing life and extend service intervals up to 100,000 miles\*
- STEERTEK™ NXT comes with a standard 10-year, 1 million mile limited warranty\*\*
- Unique two-piece knuckle design eliminates the need to remove the kingpin to service the knuckle



## Lightweight STEERTEK NXT Axle and Advanced Clamp Group Design

- The box-shaped cross section resists horizontal, vertical and twisting forces more effectively than traditional I-beam axles which improves handling
- Continuous beam architecture minimizes stress points for added durability
- Weighs less than original I-beam and spring clamp group
- Available in 12,500 and 13,300 pound capacities

## Brake Compatibility

- Compatible with drum or disc brakes
- Accepts 3/4 in. brake hardware

DATA CODE	DESCRIPTION
400-1G3	STEERTEK NXT 12,500 lbs. Front Axle
620-1G3	AIRTEK® NXT 12,500 lbs. Front Air Suspension
400-1G8	STEERTEK NXT 13,300 lbs. Front Axle
620-1G1	AIRTEK NXT 13,300 lbs. Front Air Suspension

The AIRTEK NXT system is integral to and available exclusively with the STEERTEK NXT axle. Contact Hendrickson or Freightliner for availability.

\* Contact Hendrickson for full service interval details and limitations.

\*\* 10-year, 1 million mile limited warranty covers certain structural components only. Warranty coverage applies to the axle beam, steering arm, knuckle assembly and kingpin when used in applications approved by Hendrickson and within the proper guidelines of the product. Warranty does not cover components experiencing normal wear.

Actual product performance may vary depending upon vehicle configuration, operation, service and other factors.

All applications must comply with applicable Hendrickson specifications and must be approved by the respective vehicle manufacturer with the vehicle in its original, as-built configuration. Contact Hendrickson for additional details regarding specifications, applications, capacities, and operation, service and maintenance instructions.

Call Hendrickson at **630.910.2800** or **855.RIDERED (743.3733)** for additional information.



www.hendrickson-intl.com

### TRUCK COMMERCIAL VEHICLE SYSTEMS

800 South Frontage Road  
Woodridge, IL 60517-4904 USA  
855.RIDERED (743.3733)  
630.910.2800 • Fax 630.910.2899



www.freightliner.com

45745-459 Rev F 01-20

© 2017 - 2020 Hendrickson USA, L.L.C. All Rights Reserved. All trademarks shown are owned by Hendrickson USA, L.L.C., or one of its affiliates, in one or more countries, except for Freightliner, the Freightliner logo and Cascadia, which are owned by Daimler Trucks North America LLC. Information contained in this literature was accurate at the time of publication. Product changes may have been made after the copyright date that are not reflected. Printed in United States of America